



UX SERIES

Universal Red/Green Switchable



PROJECT: _____
 FIXTURE TYPE: _____
 LOCATION: _____
 CONTACT/PHONE: _____



- Universal Red/Green
- Universal Single/Double Face
- Universal Mounting
- Universal Input Voltage
- Universal Chevron Indicators

ELECTRICAL

- 120/277VAC 60Hz dual voltage input optional
- Battery low voltage protection
- Solid-State transfer circuit
- Test switch and battery charging indicator
- Maintenance free Ni-cad battery
- 24hours recharge, more than 90mins discharge

ILLUMINATION

- Field selectable Red or Green sign with matched color diffuser
- Long-life, high intensity LED's

OPTIONS

- Self diagnostics option
- 3.6V 1.5W remote capability option

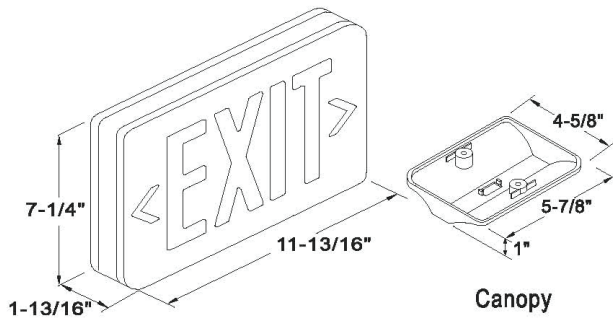
MOUNTING

- Suitable for wall, side and ceiling mount
- Universal J-Box mount pattern on back plate
- Field selectable snap in/out chevrons
- Canopy Included

CODE COMPLIANCE

- UL listed and meet or exceed all requirements in NFPA 70, NFPA 101 life safety code, suitable for U.S.A market.
- Complies with CEC title 20 efficiency regulations.
- Suitable for 10°C-40°C ambient temperature
- UL924 Damp Location Listed

DIMENSIONS



CONSTRUCTION

- Injection-molded thermoplastic housing
- Plastic enclosure with 5VA flame retardant
- Compact and decorative design
- Friendly configuration design for quick installation
- EXIT letter 6" height and 3/4" stroke, snap in and snap out direction indicator

ORDERING INFORMATION

Model	Operation	Housing Color	Options
UX	A = AC Only B = Battery Backup	W = White B = Black	SD = Self-Diagnostics* REM = Remote Capacity

*SD cannot be combined with REM

Ordering Example: UX-B-W





UX SERIES

Universal Red/Green Switchable



PROJECT: _____
 FIXTURE TYPE: _____
 LOCATION: _____
 CONTACT/PHONE: _____

MODEL LIST AND PARAMETER

No.	Model	Letter Color	Test Facility	Battery	Recharge Time	Emergency Duration	Input			Remote Capability
							Input Voltage Frequency	Input Current	Power Consumption	
1	UX-B	Red/Green Universal	Manual Test	Ni-Cad 3.6V300mAh	24 Hours	>90 Minutes	120/277V 60Hz	27mA 12mA	2.81W 2.94W	-
2	UX-B-REM	Red/Green Universal	Manual Test	Ni-Cad 3.6V300mAh	24 Hours	>90 Minutes	120/277V 60Hz			3.6V1.5W
3	UX-B-SD	Red/Green Universal	Self Test	Ni-Cad 3.6V300mAh	24 Hours	>90 Minutes	120/277V 60Hz	27mA 12mA	2.81W 2.94W	-
5	UX-A	Red/Green Universal	-	-	-	-	120/277V 60Hz	-	-	-

REMOTE HEADS

UX-B-REM can drive below remote heads, make sure total remote load less than 1.5W.



RM-1 *2pcs

- Single remote head, 3.6V 0.75W delivers 85lm per unit.
- Operation temperature range 0°C.....+50°C Suitable for damp location
- UL, cUL Listed



RM-2 *1pcs

- Dual remote heads, 3.6V 1.5W delivers 170lm per unit.
- Operation temperature range 0°C.....+50°C Suitable for damp location
- UL, cUL Listed



R-ASRLED-1-WP *2pcs

- Single remote heads, DC3-12V Input, Constant power 0.75W, delivers 75lm.
- Operation temperature range -25°C.....50°C Suitable for wet location.
- UL, cUL Listed.



R-ASRLED-2-WP *1pcs

- Dual remote heads, DC3-12V Input, Constant power 1.5W, delivers 150lm.
- Operation temperature range -25°C.....50°C Suitable for wet location.
- UL, cUL Listed.