



LIFE SAFETY PRODUCTS

Dear Valued Customer,

The Mule Battery Company was founded in 1923 with two thoughts in mind — to provide quality products and to back them with exemplary customer service. For over 85 years we have grown and prospered by aggressively pursuing these objectives — meeting the needs of our industry and developing products that serve our customers well.

Our business began with the development of innovative, communication grade batteries. These were products with quality built in, and backed by full customer service that was decades ahead of its time. (You can still see from our logo that they, “kicked like a Mule”.)

Over the years, as our market rapidly expanded, we saw the need to provide complete lighting equipment and systems. In 1970 Mule responded to that need by acquiring a high-quality manufacturer of emergency lighting equipment, Litecor, and became Mule Lighting, Inc. to better reflect our product integration.

The synergistic combination of technical expertise and marketing know-how produced by that acquisition has led to many more innovative product developments by Mule Lighting, Inc. Today our company showcases a broad line of lighting products including emergency and exit, compact fluorescent, commercial and industrial lighting and a wide range of battery products. Most recently, Mule's innovative spirit has resulted in the design and development of two new product Divisions; LEDalux offers an extensive array of solid state LED lighting products for a wide range of applications and DYNalux features a portfolio of induction based products for most commercial, industrial and municipal applications. From exit fixtures and emergency lighting units to decorative, accent and general purpose lighting, the Mule brand continues to embrace the technological advances necessary to bring our industry superior product lines backed by over 85 years of experience.

Today Mule Lighting enjoys over four decades of success and goodwill as a manufacturer that designs, markets and services a wide array of innovative lighting and related products. Best of all, we still follow those same tenets upon which we were founded - to furnish quality products and services that are focused on providing customer loyalty and satisfaction for many years after their initial purchase. We trust your experience with Mule will find this to be true.

Sincerely,



Robert P. Cross

CEO



PIVOTAL SERIES
PAGES 9



ARRIS SERIES
PAGES 12



EVER-BRITE SERIES
PAGE 17



EVER-GREEN SERIES
PAGE 18



LED COMBINATION SERIES – MDC
PAGE 19



SSL SERIES
PAGE 23



SQ-LED SERIES
PAGE 24



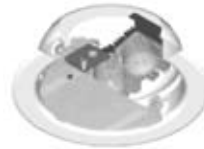
MRD - HIGH OUTPUT SERIES
PAGE 28



EMLED SERIES - ELW
PAGE 31



EMLED SERIES - ELS
PAGE 32



EMLED SERIES - ELD
PAGE 33



VR SERIES
PAGE 38



EMLED SERIES - EOE
PAGE 44



MAKO LED SERIES
PAGE 45



RADIUS SERIES - WET LOCATION
PAGE 46



RIPARO SERIES
PAGE 47



BS101 SERIES
PAGE 48



NEW YORK PIVOTAL SERIES
PAGE 63



SPECIAL LED SIGNAGE
PAGE 65



MINI INVERTER SERIES
PAGE 66



Letter from the CEO 2
 New Mule Products 3

LED EXIT SIGNS



MX Series 6
 Meridian Series 7
 Classic Series 8
 Pivotal Edge-Lit Series 9
 Renaissance Series 10
 Precision Series 11
 Arris Series 12
 Pinnacle Series 13
 NEMA 4X Series-N4X 14
 E-Star Series 15
 ROBO Series 16



PHOTOLUMINESCENT & SELF LUMINOUS



Ever-Brite 17
 Ever-Green 18

LED EXIT SIGNS & EMERGENCY LIGHTING



LED Combination Series -MDC 19
 Combination Series-EPX 20
 Combination Series-SQ 21
 Combination Series-CC 22

LED EMERGENCY LIGHTING



SSL Series LED 23
 SQ-LED Series 24

COMMERCIAL EMERGENCY LIGHTING



Econo-Lite Series 25
 Radius Series 26
 SQ High Output Series 27
 MRD High Output Series 28
 Lite-Way Series EM-80 29
 Lite-Way Series BKEM 30



ARCHITECTURAL EMERGENCY LIGHTING



EMLED Series-ELW 31
 EMLED Series-ELS 32
 EMLED Series-ELD 33
 Recessed Series-REL 34
 Recessed Series-RG-80 35
 Covert Series 36
 C-Series 37



INDUSTRIAL EMERGENCY LIGHTING



VR Series 38
 EC Series 39
 KES Series 40
 LX Series 41
 MFC Series 42
 WLEM Series 43



OUTDOOR EMERGENCY LIGHTING



EMLED Series-EOE 44
 MAKO-LED Series 45
 MRD-WL Series 46
 Riparo Series 47
 BS101 Series 48



NEMA RATED EMERGENCY LIGHTING





NEMA 12 Series 49
 NEMA 4X Series-NM4 50

BATTERY PACKS



Embassy Series-Linear/Compact 51
 Embassy Series-Low Profile 52
 Embassy Series-Micro Inverter 53


REMOTE HEADS AND FIXTURES

	H Series	
	GWP Series	54
	HM Series	
	SQRM Series	55
	MR Series	
	MRB Series	56
	RRG Series	
	CRL Series	57



ACCESSORIES

Wire Guards	
Vandal Resistant Shields	58

RETRO FIT KITS

	QuickFit Series	59
--	-----------------------	----


NEW YORK CITY APPROVED

	NYX Series	60
	NY Meridian Series	61
	NY Precision Series	62
	NY Pivotal Series	63
	NY LED NY-LX Series	64



CUSTOM SIGNAGE

Special LED Signage	65
---------------------------	----

INVERTERS

	Mini Inverter	66
	UPS Mini	67
	UPS Single Phase	68
	UPS Three Phase	69

REFERENCE

	Photometrics	70
	Photometrics	71
	Photometrics	72
	Lamp Reference Table	73
	Model Index	74
	Series Index	75

PARTNERS AND ASSOCIATIONS:



OTHER MULE LIGHTING DIVISIONS:





UNIVERSAL THERMOPLASTIC LED EXIT

The MX Series combines an ultra-slim polycarbonate housing and dependable Mule LED performance to give you a versatile all-in-one, 21st century design. This truly universal exit sign includes the canopy and extra faces for any application. Installation is accomplished in minutes with our tool-less, Snap-In™ design. Available with red or green energy efficient LED light sources to provide years of maintenance-free illumination at a minimal cost.



BENEFITS & FEATURES

ALL MODELS

- Durable scratch resistant polycarbonate housing
- Diffused Super-bright LEDs – Red or Green
- Even illumination – no hot spots
- Dual voltage 120/277 standard
- Eliminates maintenance – no more lamp changes
- Ultra-slim profile, contoured design
- Snap-In canopy, universal mounting
- Snap-In directional chevrons
- Installs in seconds with the simple Snap-In design
- Universal – All signs
- Damp location rated
- ETL and UL listed
- Meets NFPA 101, NEC, OSHA
- 5 Year Limited Warranty

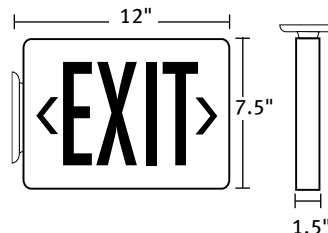
AC ONLY MODELS

- Total power consumption under 2 watts

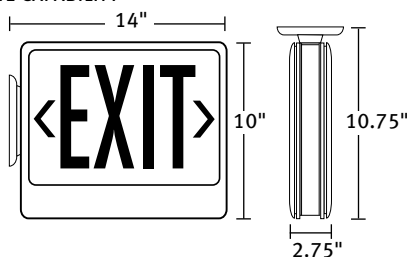
SELF-POWERED MODELS

- Total power consumption under 5 watts
- Sealed maintenance-free nickel cadmium battery
- Solid state charger
- Low voltage disconnect & brownout protection
- Flush mounted push-to-test switch & LED indicator
- Available with Self-diagnostics function.

STANDARD



WITH REMOTE CAPABILITY



ACCESSORIES

ACCESSORY	DESCRIPTION
VRS1	Vandal Resistant Shield - Wall Mount
WG2	Wire Guard - Small
VRL	Vandal Resistant Lens

Add suffix to model or order separately

ORDERING INFORMATION

MODEL	DESCRIPTION	OPTIONS
AC Only		SD = Self-Diagnostics
MXARU	Red Letters, Universal	FL = Flasher
MXAGU	Green Letters, Universal	BL = Black Housing
Battery Backup		FAI = Fire Alarm Interface
MXBRU	Red Letters, Universal, NiCad Battery	DLC = Dual Circuit
MXBGU	Green Letters, Universal, NiCad Battery	SL = Special Lettering
Battery Backup with Remote Capability (12 watts)		USA = Assembled in USA
MXBRU-REM	Red Letters, Universal, Remote Capability	
MXBGU-REM	Green Letters, Universal, Remote Capability	

Ordering Example: MXBRU-SD

BENEFITS & FEATURES

ALL MODELS

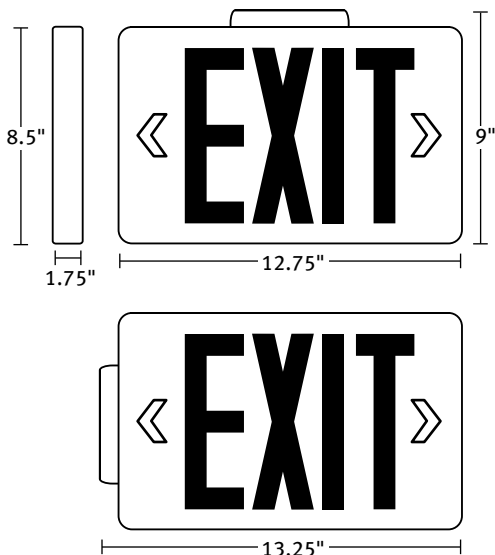
- Unique curved face
- High-strength cast aluminum
- Compact, low-profile design
- Easy to install
- Long-life LED lamps (Red or Green)
- Bright, even illumination – no more lamp changes
- Universal (single/double face) available
- Universal end, ceiling or wall mount standard
- Universal knockout chevrons
- Dual voltage 120/277 standard with surge protection
- Damp location rated

AC ONLY MODELS

- Total power consumption under 1 watt

SELF-POWERED MODELS

- Total power consumption under 4 watts
- Fully automatic, 90-minute operation
- Solid-state charger with low voltage disconnect
- Premium grade, nickel cadmium battery
- AC lockout and brownout protection
- Charge rate/power on LED indicator light
- Push-to-test switch



UNIVERSAL DIE-CAST ALUMINUM LED EXIT

The Meridian Series is the first universal LED die-cast aluminum exit sign available. Stocking and specifying a die-cast exit sign is now simple, efficient and economical. The Meridian Series combines an appealing design, the latest in die casting technology, and high performance electronics to ensure reliability. The architecturally pleasing design makes this series the premier choice for applications requiring the durability and the craftsmanship of die-cast aluminum exit signs. The unique curved face provides the brightest, most uniform illumination available in the industry and blends well with any setting-providing a clean, modern look. The die-cast aluminum construction gives the Meridian Series exceptional strength.



ACCESSORIES

ACCESSORY	DESCRIPTION
VRS	Vandal Resistant Shield
VRL	Vandal Resistant Lens
WG2	Wire Guard

Add suffix to model or order separately

ORDERING INFORMATION

MODEL	OPERATION	# OF FACES	LETTER COLOR	HOUSING COLOR	OPTIONS
MD	A = AC Only	1 = Single	R = Red	BA = Black with Brushed Face	SD = Self-Diagnostics
	B = With Battery	2 = Double	G = Green	BB = All Black	DLC = Dual Circuit
		U = Universal		WW = All White	FL = Flasher
				AA = All Brushed Aluminum	BZ = Buzzer
					TP = Tamper Proof
					USA = Assembled in USA

Ordering Example: MD-B-U-R-BA-FL

DIE-CAST ALUMINUM LED EXIT

With a rugged specification grade die cast aluminum frame and architecturally pleasing design, the Classic Series will complement virtually any decor. Designed for commercial, industrial and institutional facilities where appearance, low maintenance and ease of installation are important. Available with red or green energy efficient LED light sources to provide years of maintenance-free illumination at a minimal cost.



BENEFITS & FEATURES

ALL MODELS

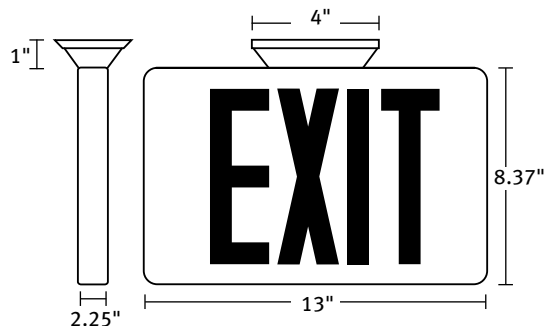
- Rugged vandal resistant construction
- Diffused Super-bright LEDs – Red or Green
- Even illumination – no hot spots
- Dual voltage 120/277 standard
- Eliminates maintenance – no more lamp changes
- Same compact frame for AC and Self-Powered models
- Universal ceiling, end or surface mount
- Universal chevron knockouts
- ETL listed
- Meets NFPA 101, NEC, OSHA
- 5 Year Limited Warranty

AC ONLY MODELS

- Total power consumption under 2 watts

SELF-POWERED MODELS

- Total power consumption under 5 watts
- Sealed maintenance-free nickel cadmium battery
- Solid state charger
- Low voltage disconnect & brownout protection
- LED AC pilot and “Ready” indicator monitors charging status
- Push-to-test switch



ACCESSORIES

ACCESSORY	DESCRIPTION
WG2	Wire Guard
VRS	Vandal Resistant Shield - Wall Mount
VRL	Vandal Resistant Lens

Add suffix to model or order separately

ORDERING INFORMATION

MODEL	# OF FACES	COLOR CODE	OPTIONS
AC Only	1 = Single	BAR = Red Letters, Black Housing, Brushed Aluminum Face	FL = Flasher
CX	2 = Double	BAG = Green Letters, Black Housing, Brushed Aluminum Face	BZ = Buzzer
Battery Backup		BBR = Red Letters, Black Housing, Black Face	FAI = Fire Alarm Interface
PCX		BBG = Green Letters, Black Housing, Black Face	SL = Special Lettering
		WWR = Red Letters, White Housing, White Face	DR = Damp Rated
		WWG = Green Letters, White Housing, White Face	ERT = Extended Run Time
			DLC = Dual Circuit
			SD = Self-Diagnostics
			RMK = Recessed Mounting Kit
			LLE = Low-level matching exit for master/slave setup

Ordering Example: PCX-1-BAR-WG2

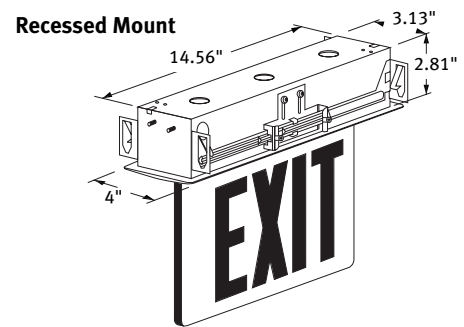
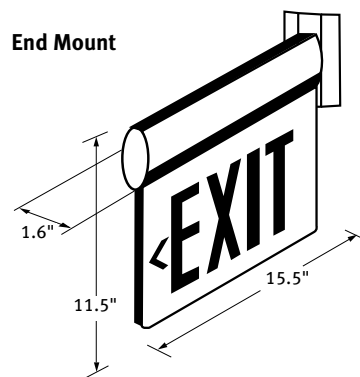
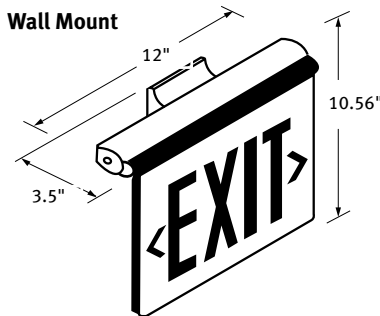
BENEFITS & FEATURES

ALL MODELS

- Minimalist inspired aluminum housing
- Housing available in brushed aluminum or powder coat white
- Contoured, high-style design
- Integrated and unique pivot system
- Surface mounted at almost any angle from 0 to 90 degrees
- Suitable for sloped ceilings or stairwells
- Ceiling, wall, end or pendant mounting standard
- Universal, field-installable chevrons
- Bright, even letter illumination
- Energy-saving operation
- Easy to install
- Dual voltage 120/277 standard with surge protection
- Red or green Super-bright LEDs
- Low voltage battery disconnect
- High clarity acrylic panel for single or double face configurations
- Single face configuration offered in clear panel
- Double face configuration offered in mirror panel
- Suitable for damp locations and indoor locations
- Total power consumption under 2 watts
- Instant visual verification of unit status

COMMERCIAL EDGE-LIT LED EXIT

The Pivotal is the latest generation edge-lit EXIT from the Mule design team. The Pivotal features an integrated and unique pivot system that allows the Pivotal to be installed on the wall, ceiling or sloped surface. Easy to specify, easy to install, the Pivotal is a universal edge-lit EXIT that is available in AC only, Self-Powered and Dual-Circuit configurations.



ORDERING INFORMATION

MODEL	# OF FACES	OPERATION	LETTER COLOR	MOUNTING	HOUSING COLOR
PVT	1 = Single	A = AC Only	R = Red	U = Universal Surface	BA = Brushed Aluminum
	2 = Double	B = With Battery	G = Green	R = Recessed	WH = All White
		DLC = Dual Circuit			

Ordering Example: PVT-1-B-R-U-BA

COMMERCIAL LED EDGE-LIT EXIT

The Renaissance Series edge-lit exit features a quadruple-mounting capability and provides an attractive yet easy to install exit sign. The crystal clear lens panel provides excellent light distribution, exit visibility and quick snap-in installation. The Renaissance incorporates long life, energy efficient LED lamps that reduce energy costs and eliminate routine lamp maintenance. The under five-minute installation time makes it the fastest installed edge-lit exit on the market today.



BENEFITS & FEATURES

ALL MODELS

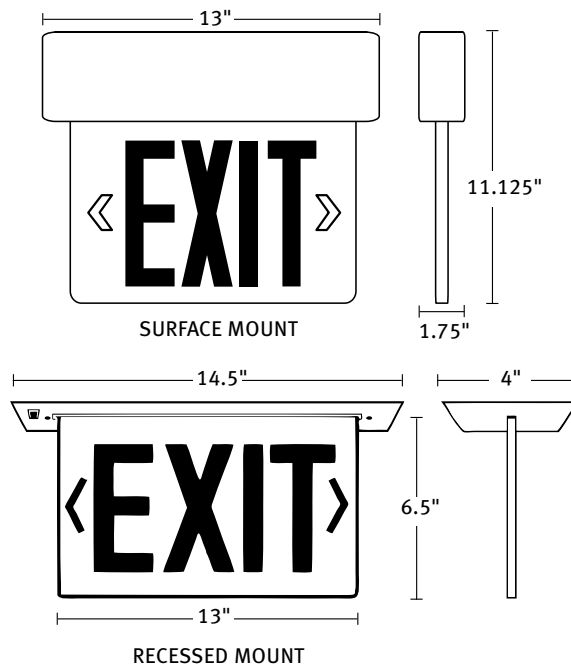
- Water-clear, molded acrylic exit panel
- Extruded aluminum housing
- Contoured, high-style design
- Universal, field-installable chevrons
- Bright, even letter illumination
- Energy-saving operation
- Ceiling, wall, end, pendant or recessed mounting
- Easy to install – under 5 minutes
- Dual voltage 120/277 standard with surge protection
- Red or green Super-bright LEDs

AC ONLY MODELS

- Total power consumption under 3 watts

SELF-POWERED MODELS

- Total power consumption under 5 watts
- Fully automatic, solid-state charger
- Maintenance-free nickel cadmium battery
- Automatic battery protection
- Charging system is complete with low voltage disconnect, AC lockout, and brownout protection
- Charge rate/power on LED indicator light
- Push-to-test switch



ORDERING INFORMATION

MODEL	# OF FACES	OPERATION	LETTER/PANEL COLOR	HOUSING COLOR	MOUNTING	OPTIONS
CEL	1 = Single	A = AC Only	RC = Red on Clear	WH = White	U = Universal	DLC = Dual Circuit
	2 = Double	B = With Battery	GC = Green on Clear	BL = Black	R = Recessed	SD = Self-Diagnostics
			RM = Red on Mirror	BA = Brushed Aluminum		SL = Special Lettering
			GM = Green on Mirror			USA = Assembled in USA
			RW = Red on White			
			GW = Green on White			

Ordering Example: CEL-1-B-RC-BA-R-SD



BENEFITS & FEATURES

ALL MODELS

- Recessed or universal mounting styles available
- Standard Colors are black, white or brushed aluminum
- High clarity, acrylic panels
- Panel measures 14" x 1/4" x 9 1/2"
- Dual voltage 120/277 standard
- Eliminates maintenance – no more lamp changes
- Red or green Super-bright LEDs
- Field applicable chevrons
- ETL listed
- Voltage surge protection

AC ONLY MODELS

- Total power consumption under 2 watts

SELF-POWERED MODELS

- Total power consumption under 5 watts
- Sealed maintenance-free battery
- Solid state charger
- Low voltage disconnect & brownout protection
- LED AC pilot, "Ready" indicator and Test switch

SPECIFICATION GRADE, ARCHITECTURAL EDGE-LIT EXIT

The Precision Series LED edge-lit signs combine a distinctive look with energy efficient LED technology. Ideal for new construction, renovation and remodeling projects. Providing a high quality and distinguished design, the Precision Series LED edge-lit sign is the fixture of choice whenever elegance and exceptional performance are demanded from the same fixture. These stylish, low-profile panel signs are illuminated with red or green super bright LEDs.



SPECIAL RECESSED MOUNT



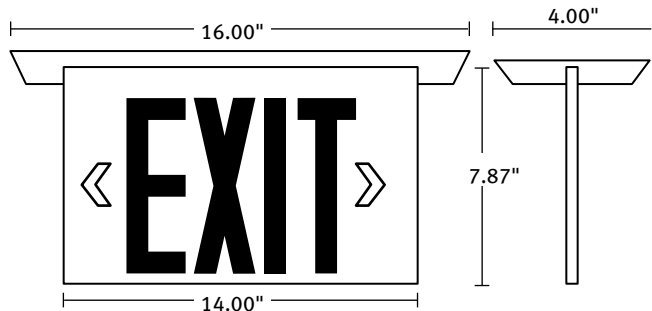
RECESSED MOUNT



CEILING MOUNT



END MOUNT



OPTIONS

OPTION	DESCRIPTION
NC	NiCad Battery
FL	Flasher
BZ	Buzzer
FB	Flasher & Buzzer
ERT	Extended Run Time
SL	Special Lettering
DLC	Dual Circuit (Specify Voltage)
SD	Self-Diagnostics

Add suffix to model

ORDERING INFORMATION

MODEL	# OF FACES	POWER SUPPLY	PANEL COLOR	MOUNTING STYLE	HOUSING COLOR
ELX	1 = Single	A = AC Only	RC = Red Letters, Clear Panel	WR = Wall Recessed	WH = White
	2 = Double	B = Battery	RW = Red Letters, White Panel	R = Recessed Mount	BL = Black
		Backup	RM = Red Letters, Mirrored Panel	U = Universal Ceiling, End or Wall Mount	BA = Brushed Aluminum
			GC = Green Letters, Clear Panel		
			GW = Green Letters, White Panel		
			GM = Green Letters, Mirrored Panel		
			SS = Special		

Ordering Example: ELX-1-B-RC-U-WH-NC

ULTRA-THIN DIE CAST ALUMINUM EXIT

The Arris Series Die Cast Aluminum Exit features an architectural, ultra slim design to fit into any environment. Attractive and functional, the Arris Series is completely self-contained and utilizes reliable, energy efficient LED illumination.

**CONSTRUCTED OF PRECISION DIE-CAST ALUMINUM****CONSTRUCTION**

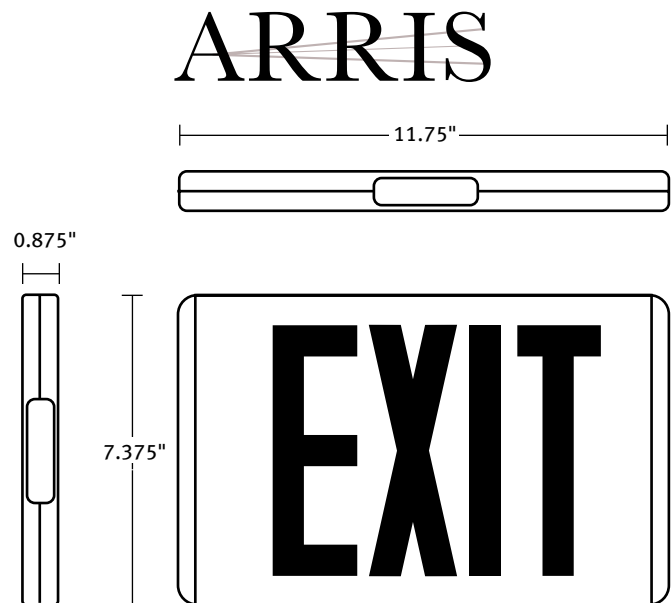
The housing is made of die cast aluminum and finished in either a Brushed Aluminum finish or polyester powder coat paint finish in Black or White. All electrical parts fit inside the housing and do not require a remote electronics box.

MOUNTING

An ultra low profile and small canopy mount is included for top or end mounting applications. Knock-outs are provided for surface mounting applications. Available in Single or Double face versions. Knock-out chevrons for direction indication.

BENEFITS & FEATURES

- Enclosure, face plate, back plate and mounting canopy constructed of precision die-cast aluminum
- Red or green high intensity LEDs
- Constant uniform illumination
- 3/4" fully illuminated letters
- Standard housing available in black, white and brushed aluminum
- Simple installation
- Universal mounting canopy supplied standard with each unit
- 120/277 volt operation
- Chevron style universal arrow knockout
- Short circuit protection
- Voltage surge protection
- Test button and LED AC/DC indicator
- Low voltage disconnect eliminates deep discharge
- UL recognized, maintenance-free, NiCad battery
- UL Listed
- Damp Location rated
- 90 minute emergency run-time

**ORDERING INFORMATION**

MODEL	OPERATION	# OF FACES	LETTER COLOR	HOUSING COLOR
ARS	A = AC Only	1 = Single	R = Red	AA = All Brushed Aluminum
	B = With Battery	2 = Double	G = Green	BB = Black with Brushed Face
				WW = All White

Ordering Example: ARS-B-1-R-AA

BENEFITS & FEATURES

ALL MODELS

- Wet Location/IP 65 rated
- Certified by CSA to UL924 standards
- Constructed of 0.420" heavy duty cast aluminum
- High abuse clear polycarbonate shield
- Tamper resistant hardware standard
- 120/277/347 VAC input
- Operating temperature of -30°F to +135°F with IH option
- Field selectable chevrons
- LED illumination consumes under 5 watts
- Conforms to UL924, NFPA 101, OSHA standards
- Suitable for wall, ceiling or end mounting
- 5 year warranty

SELF-POWERED MODELS

- Sealed nickel-cadmium batteries provide 90 minute run-time
- Self-diagnostics standard on battery models

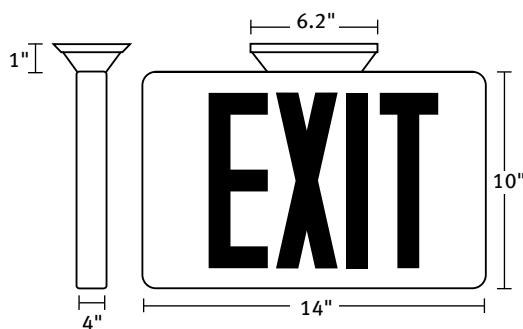


WET LOCATION, VANDAL RESISTANT LED EXIT

The Pinnacle Series wet location, vandal resistant, LED exit sign combines an appealing design, the latest in die casting technology and high performance electronics to ensure reliability. Designed to stand up in high abuse areas such as parking garages, correctional facilities, schools, apartment complexes and public areas that may be subject to vandalism and serious weather. Wet location/IP 65 rated, this exit is suitable for virtually any environment. The Pinnacle comes standard with self-diagnostic testing allowing for years of worry-free operation.



SELF-DIAGNOSTIC STANDARD ON ALL BATTERY MODELS



OPTIONS

OPTION	DESCRIPTION
PK12	12" pendant
FL	Flasher
BZ	Buzzer
SL	Special lettering
IH	Internal heater (specify 120v or 277v)
IR	Infrared remote test switch
ERT	Extended emergency operation

Add suffix to model

ORDERING INFORMATION

MODEL	# OF FACES	LETTER COLOR	HOUSING CLR	MOUNTING	STANDARD
WLCX = AC Only	1 = Single	R = Red Letters	B = Black	U = Universal	SD = Self-Diagnostics
WLPCX = Battery Back-up	2 = Double	G = Green Letters	W = White		
	U = Universal				

Ordering Example: WLPCX-1-R-B-U-SD

VANDAL RESISTANT, WET LOCATION, LED EXIT & COMBINATION EXIT

NEMA 4X rated exit signs are ideal for use in hostile environments where dirt, dust, oil, water or corrosive elements such as salt, acids and alkalines are present. Units are built into a nema enclosure that is weather and corrosion resistant. Enclosures include a uniformly illuminated polycarbonate face and a rugged fiberglass housing with a special one-way venting system.



N4X-AX/BX



N4X-EPX

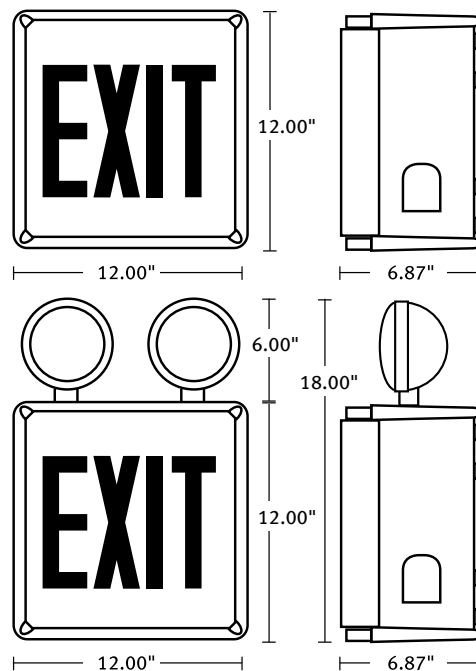
BENEFITS & FEATURES

ALL MODELS

- NEMA 4X rating
- Waterproof
- Energy saving LEDs
- Uniformly illuminated exit legend
- Surge protected
- Oil-resistant gasket provides water-tight and dust-tight seal
- Selectable 120/277 input
- Single or double face available
- Removable Chevrons
- Certified by ETL or CSA to UL924 standards

SELF-POWERED MODELS

- Completely self-contained
- Low voltage disconnect
- Brownout protection
- 100% solid state charger
- Test switch
- Premium grade sealed lead acid battery
- 90 minute battery run time
- Temperature Range: 0°C to 50°C (-20°C with IH option)



ORDERING INFORMATION

MODEL	# OF FACES	COLOR CODE	HEADS**	OPTIONS
N4X-AX = AC Only	1 = Single	R = Red	0 = None	SD = Self-Diagnostics
N4X-BX = Battery Backup	2C = Double Ceiling Mount	G = Green	2T = 2 Top Mounted	FL = Flasher (Specify Voltage)
N4X-EPX = Combination	2E = Double End Mount		2S = 2 Side Mounted	BZ = Buzzer (Specify Voltage)
				IH = Internal Heater (Specify Voltage)*
				NC = Nicad Battery
				REM27 = Remote Capability 27 Watts
				REM36 = Remote Capability 36 Watts
				REM54 = Remote Capability 54 Watts

Ordering Example: N4X-BX-1-R

*The minimum operating temperature with the internal heater option is -40°F
 **For N4X-EPX model only.



BENEFITS & FEATURES

ALL MODELS

- Rugged 20 gauge steel housing with baked enamel finish
- Diffused Super-bright LEDs – Red or Green
- Even illumination – no hot spots
- Dual voltage 120/277 standard
- Easy to install
- Eliminates maintenance – no more lamp changes
- Highly energy efficient
- Same compact frame for AC and Self-Powered models
- Universal ceiling, end or surface mount available
- Universal chevron knockouts
- Meets NFPA 101, NEC, OSHA
- 5 Year Limited Warranty
- UL listed

AC ONLY (SX MODEL)

- Total power consumption under 2 watts

SELF-POWERED (PSX MODEL)

- Total power consumption under 5 watts
- Sealed maintenance-free nickel cadmium battery
- Solid state charger
- Low voltage disconnect & brownout protection
- LED AC pilot and “Ready” indicator monitors charging status
- Push-to-test switch

STEEL LED EXIT

With appealing designs and dependable performance, the E-Star Series of LED exit signs will accommodate virtually any application. Designed for ease of installation, this versatile exit sign features an all-in-one design that uses the same compact housing for both AC and Battery-Backup models. The LED light source provides years of maintenance-free illumination at a minimal cost.



ACCESSORIES

ACCESSORY	DESCRIPTION
WG2	Wire Guard
PK12	Pendant Kit - 12"
VRS	Vandal Resistant Shield

Add suffix to model

ORDERING INFORMATION

MODEL	# OF FACES	COLOR CODE	OPTIONS
SX = AC Only	1 =Single with Canopy	WWR = Red Letters, White Housing	SD = Self-Diagnostics
PSX = Battery Backup	2 =Double with Canopy	WWG = Green Letters, White Housing	DLC = Dual Circuit
	1/2C = Universal (Double Face with Canopy & Back Plate)	BBR = Red Letters, Black Housing	SL = Special Lettering
		BBG = Green Letters, Black Housing	TP = Tamperproof Screws
		(Call for other combinations)	FL = Flasher
			BZ = Buzzer
			ERT = Extended Run Time

Ordering Example: PSX-1-WWR-VRS

VANDAL RESISTANT LED EXIT

The Robo Series of LED vandal resistant exit signs is engineered to ensure optimal durability. Designed to stand up to abuse in applications such as schools, public areas, institutions and apartment complexes where vandalism may potentially occur. The 14 gauge steel and polycarbonate faceplate offers extreme protection and superior performance. Tamper-resistant screws ensure the integrity of the unit. The heavy gauge steel construction of the Robo housing requires that directional chevron arrows must be specified when ordering. The Robo Series is available configured with high-output leds in AC-only and Self-Powered operation versions.



BENEFITS & FEATURES

ALL MODELS

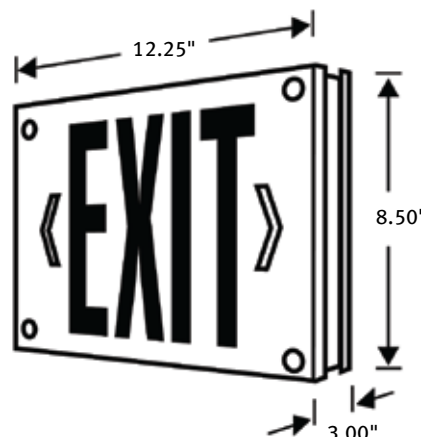
- Vandal resistant
- High-strength 14 gauge steel housing
- Impact-resistant 1/8" thick polycarbonate lens
- Secured with 4 tamperproof screws
- Heavy duty mounting canopy for ceiling and end mount applications (factory installed)
- Long-life LED lamps (Red or Green)
- Bright, even illumination
- Dual voltage 120/277 standard with surge protection
- ETL or CSA listed to UL924 standard

AC ONLY

- Total power consumption under 1.1 watts

SELF-POWERED

- Total power consumption under 4 watts
- Fully automatic, 90-minute operation
- Solid-state charger with low voltage disconnect
- Premium grade nickel cadmium battery
- AC lockout and brownout protection
- Charge rate/power on LED indicator light
- Push-to-test switch



ORDERING INFORMATION

MODEL	# OF FACES	LETTER CLR	MOUNTING	CHEVRON DIRECTION	OPTIONS
RX = AC Only	1 = Single	R = Red	W = Wall (No Canopy)	NC = No Chevrons	SD = Self-Diagnostics
PRX = Battery Back Up	2 = Double	G = Green	C = Ceiling (Factory Installed)	LC = Left Chevron	FL = Flasher
			E = End (Factory Installed)	RC = Right Chevron	BZ = Buzzer
				LR = Left & Right Chevrons	SL = Special Lettering
					DLC = Dual Circuit
					PK12 = 12" Pendant Kit
					ERT = Extended Run Time

Ordering Example: PRX-1-R-C-LC-SD


BENEFITS & FEATURES
ALL MODELS

- LEED points qualified
- Consumes no electricity
- 100% reliable, no internal parts to burnout
- Non-toxic, non-radioactive
- Low-cost, easy installation
- Flexible design for surface, flag or ceiling mounting
- Thin, low profile design
- Can be used for both high-level and low-level applications
- Consistent, uniform, High Visibility Green illumination
- Removable or field applied chevron arrows
- Maintenance-free 25+ years
- Explosion proof
- Listed to UL 924 through UL®, meets NFPA Life Safety Code 101 and OSHA requirements
- Meets current Building Codes: IBC, ICBO, BOCA and SBCCI, NFPA 5000
- ICC ES report #ER-6040
- California State Fire Marshall listing #6200-1617; 100
- City of Los Angeles Research Report: RR 25531 (CSI #16530)
- Ontario Building Materials Evaluation Commission Authorization Report BMEC # 03-12-291

ARCHITECT BENEFITS

- Reduces cooling and emergency generator loads
- Aesthetically pleasing designs
- Multiple product solutions for every application

CONTRACTOR BENEFITS

- Lower labor and material cost
- No electrical to run or battery backup
- Standard bracket options for easy mounting

PHOTOLUMINESCENT EXIT SIGNAGE

Recent advancements in photoluminescent pigments and compounds have prompted UL to address testing of photoluminescent exit signs to the UL 924 Emergency Lighting and Power Equipment standard. Ever-Brite Exit Signs are listed to UL 924 through UL®.

EBS50 (50FT. VIEWING)

DIMENSIONS: 8.25" X 15.25" X 0.25"
STEEL HOUSING


EBPF50 (50FT. VIEWING)

DIMENSIONS: 15.375" X 8.75" X 0.75"
POLYCARBONATE HOUSING


ORDERING INFORMATION

MODEL	FACES	FRAME COLOR	FINISH
EBS50	1 = Single Face	R = Red	W = Wall
	2 = Double Face	G = Green	MB = Mounting Bracket*
		B = Black	
		W = White	

Ordering Example: EBS50-2-G-MB

*A mounting bracket is necessary for double face signs and optional for single face signs.

MODEL	FACES	FRAME COLOR	FINISH
EBPF50	1 = Single Face	R = Red	W = Wall
	2 = Double Face	G = Green	MB = Mounting Bracket*
		B = Black	PMA = Pendant Mount Adapter
		WG = White w/ Green Outline	U = Universal**
		WR = White w/ Red Outline	

Ordering Example: EBPF50-1-B-W

*A mounting bracket is necessary for double face signs and optional for single face signs.

**Includes all mounting hardware.

SELF-LUMINOUS EXIT

The Ever-Green Series of self-luminous exit signs are easy to install, maintenance-free exit signs. Simply mount them into place and forget about them for up to twenty years. There are absolutely no electrical connections, no batteries, no wires, nothing but self-powered luminescent tubes. This environmentally friendly sign uses tritium gas to provide illumination without electricity.



SHOWN WITH INSTITUTIONAL FRAME

BENEFITS & FEATURES

- No electricity, no batteries
- All-plastic high-impact sealed casing, to ANSI N-540 Standard
- Even illumination guaranteed for up to 20 years
- Field selectable chevron arrows
- Eliminates maintenance – no more lamp changes
- Powered by luminescent tubes
- Universal mounting bracket
- UL rated for Class 1, Div. 1 Hazardous Locations
- Meets NFPA-101 Life Safety Code
- Single or double face
- Low first cost, no maintenance
- Letter brightness is a minimum of .12 foot-lamberts
- Suitable for California low level applications
- Waterproof – suitable for wet locations
- Spark-proof & explosion-proof
- Tamperproof and vandal resistant

CODE COMPLIANCE**ALL MODELS**

- UL Listed
- NFPA-101 life safety code
- OSHA 1910-35
- MSHA
- Unified building code
- ANSI N-540

**ORDERING INFORMATION**

MODEL	# OF FACES	RATED LIFE	HOUSING COLOR	FACE COLOR	OPTIONS
EGX	1 = Single	10 = 10 Years	B = Black	R = Red	IFW = White Institutional Frame
	2 = Double	20 = 20 Years	W = White	G = Green	IFB = Black Institutional Frame
			BA = Brushed Aluminum	O = Other	IFA = Brushed Aluminum Institutional Frame
			O = Other		VRS = Vandal Resistant Sheild
					WG2 = Wire Guard
					PK12 = Pendant Kit 12"

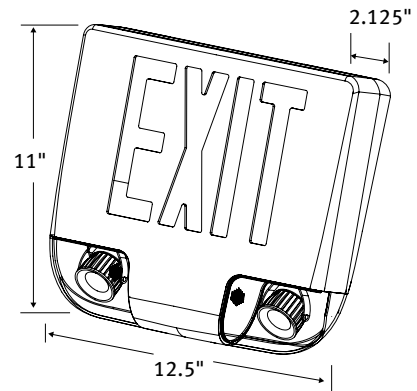
Ordering Example: EGX-1-10-B-R-PK12



BENEFITS & FEATURES

- LED Exit Sign & Emergency Light Heads
- Architectural Die-cast Aluminum Housing
- Low Profile, Unique Design
- Features two 3 Watt LED Emergency Light Heads
- Several Housing Colors Available
- Removable Chevron Directional Indicators
- 120/277 60Hz Operation
- 120 Minute Emergency Operation
- Test Switch and AC-On Indicator Light
- Low Voltage Disconnect
- Maintenance-Free, Rechargeable Ni-Cad Battery
- Internal Solid-State Transfer Switch
- Fully Automatic Solid-State Charger
- Energy Efficient, Bright/Even Illumination
- Red and Green Letters Models
- Universal Ceiling, Wall or End Mount
- UL 924 Listed for Damp Locations
- Meets NFPA 101 Illumination levels at 20' Spacing
- Meets OSHA, NEC, Local and State Codes

DIE CAST ALUMINUM LED EXIT/LED EMERGENCY COMBO
 The MDC model combination LED Exit & LED Emergency unit is the first all LED combination unit on the market. This specification grade unit offers tremendous flexibility. The LED emergency light heads can be adjusted to aim the light where desired. The Exit sign may be illuminated with either Red or Green high-powered LED's and the housing is available in several colors or color combinations. Ideal for architectural and commercial installations.



ULTRA BRIGHT LED EMERGENCY HEADS

ACCESSORIES

ACCESSORY	DESCRIPTION
WG5	Wire Guard
VRS2	Vandal Resistant Shield

Add suffix to model or order separately

ORDERING INFORMATION

MODEL	NUMBER OF FACES	LETTER COLOR	HOUSING COLOR	FACE COLOR
MDC	1=Single Face	R = Red	A = Aluminum	A = Aluminum
	2=Double Face	G = Green	B = Black	B = Black
	U=Universal		W = White	W = White

Ordering Example: MDC-2-R-B-A

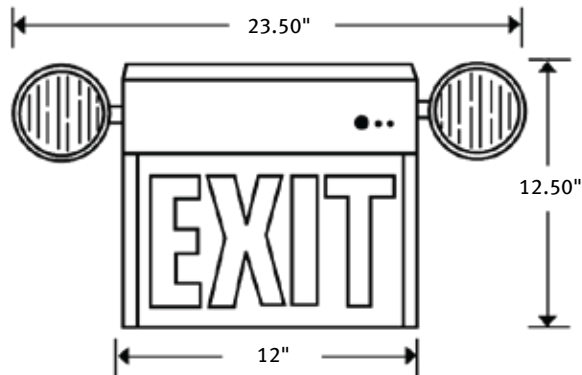
STEEL COMBINATION EXIT

The Combination Series is the perfect solution to stairwell/corridor egress lighting. The EPX combines a self-powered LED exit sign with two emergency lighting heads, thus eliminating the need for a separate emergency light unit in most applications. The unit powers the exit sign and two or three emergency lamp heads during an emergency. In emergency mode the EPX powers the exit sign plus up to three lighting heads. Heads can be top, side or remotely mounted. Remote capacity is 18 watts (6v) when shipped with 5.4 watt heads.



BENEFITS & FEATURES

- 20 gauge metal housing with baked enamel finish
- Energy saving LEDs
- Completely self-contained
- 120/277V input standard
- Top, side or remotely mounted heads
- Low voltage disconnect
- Brownout protection
- 100% solid state charger
- Dual LED AC pilot and "READY" indicator monitors charging status
- Push-to-test switch
- Labor saving universal mounting
- Universal chevron knockouts
- Sealed maintenance-free long-life lead calcium battery
- Standard lamp is 5.4 watt tungsten
- 90 minute run-time



OPTIONS

OPTION	DESCRIPTION
FAI	Fire Alarm Interface
SL	Special Lettering
TP	Tamperproof Screws
WG1	Wire Guard
FL	Flasher
BZ	Buzzer
TM	Top Mounted Heads
DR	Damp Rated

Add suffix to model

LAMP SELECTION

TYPE	OPTIONS	WATTS
6V Tungsten	Standard:	5.4W
	Halogen (H):	8W, 12W
6V Sealed Beam	Standard (SB):	9W, 12W
	Halogen (SBH):	12W

ORDERING INFORMATION

MODEL	# OF FACES	# OF HEADS*	LAMP	COLOR CODE
EPX	1 = Single	3	See lamp selection	WWR = Red Letters, White Housing
	1/2C = Universal	2		WWG = Green Letters, White Housing
	(Double face with Canopy & Backplate)	1		BBR = Red Letters, Black Housing
		0		BBG = Green Letters, Black Housing
				(Call for other Combinations)

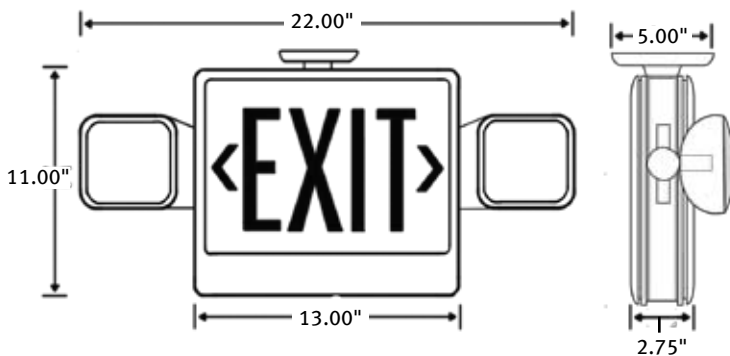
Ordering Example: EPX-1-2-6VH-12W-WWR

*(Order Remote Heads Separately)

BENEFITS & FEATURES

- Universal mounting capability
- Energy-efficient LED exit light source
- 4.4 watts for red letters, 5.9 watts for green letters
- 120/277 standard
- Durable V-0 flame-retardant thermoplastic housing
- Two fully adjustable glare-free light heads
- Remote capability – REM Option
- Universal pop-out chevrons
- Charge/Power LED indicator
- Push-to-test switch
- Solid state charger
- Louvered downlight
- Low profile design
- ETL, UL, and CUL listed
- Meets NFPA Life Safety Code
- Sealed maintenance-free lead calcium batteries
- Rapid installation
- Standard with 5.4 watt tungsten lamps
- 90 minute emergency operation

THERMOPLASTIC SQUARE HEAD COMBINATION EXIT
 The distinctive Square Lighting Heads integrate visually with the overall exit sign to create the ideal Combination Emergency Exit/Light for commercial and industrial environments. The right choice when economy and flexibility are required.


AVAILABLE WITH KRYPTON LAMPS
ACCESSORIES

ACCESSORY	DESCRIPTION
SQRM-1	Matching Single Remote Head
SQRM-2	Matching Double Remote Head
WG1	Wire Guard
VRS2	Vandal Resistant Shield

Add suffix to model or order separately

ORDERING INFORMATION

MODEL	DESCRIPTION	OPTIONS
SQRXU	Red Letters, Single or Double Face with Canopy	BL = Black Housing
SQGXU	Green Letters, Single or Double Face with Canopy	SD = Self-Diagnostics
		REM = Remote Capable (25 watts total)
		KL5 = 5.4 Watt Krypton Lamps
		KL9 = 9 Watt Krypton Lamps (w/ REM Only)
		IH = Internal Heater
		USA = Assembled in USA

Ordering Example: SQRXU-SD

ADJUSTABLE THERMOPLASTIC HEADS, COMBINATION EXIT

The CC model combination exit & emergency unit with Adjustable Heads offers tremendous flexibility. The emergency lighting heads can be rotated from a side-mount configuration to a top-mount configuration in one simple motion. Featuring a durable thermoplastic housing, the CC model incorporates red or green energy efficient, high-brightness LEDs. Ideal for commercial and institutional installations, this truly universal unit comes complete with a mounting canopy, two exit stencil faces and a backplate.

BENEFITS & FEATURES

- Universal mounting capability
- Energy-efficient LED exit light source
- 120/277 Standard
- Durable thermoplastic housing
- Remote capability (REM Option)
- Universal pop-out chevrons
- Charge/Power LED indicator
- Push-to-Test switch
- Solid State Charger
- 5.4W Tungsten lamps are standard
- Sealed maintenance-free lead calcium batteries
- 90 Minute emergency operating time
- Damp location rated
- UL listed

**ACCESSORIES**

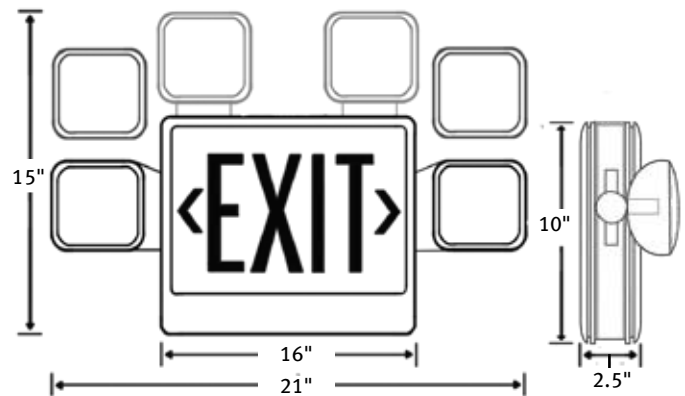
ACCESSORY	DESCRIPTION
SQRM-1	Matching Single Remote Head
SQRM-2	Matching Double Remote Head
WG1	Wire Guard
VRS2	Vandal Resistant Shield
Remote	Infrared Remote Controller

Add suffix to model or order separately

ORDERING INFORMATION

MODEL	LETTER COLOR	NUMBER OF FACES	HOUSING COLOR	OPTIONS
CC	R = Red G = Green	U = Universal	W = White B = Black	SD = Self-Diagnostics IRT = Infrared Remote Test REM = Remote Capability (25 Watts Total)

Ordering Example: CC-R-U-W-SD

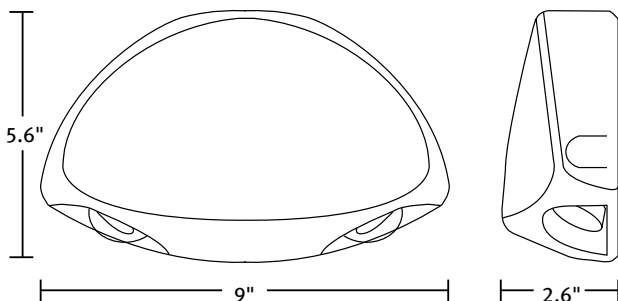


BENEFITS & FEATURES

- High Intensity CREE LEDs
- Unique, fully adjustable LED lamp heads
- Superior spacing
- Completely self-contained
- Fully automatic operation
- Premium grade, Sealed Lead Acid battery with 10 year expected life
- Environmentally coated, solid-state charger
- Low voltage disconnect, protects battery from deep discharge
- 120/277 VAC operation
- Universal J-box mounting with quick-connect adapters for fast, simple installation
- Injection-molded, V-0 flame retardant, high-impact thermoplastic housing
- Low-profile test switch and LED charge rate indicator light
- Regulated charge voltage
- AC lockout
- Overload/short circuit protection
- Brown-out protection
- Damp location rated
- UL 924 Listed

COMPACT SIZE LED EMERGENCY LIGHTING

The SSL Series is an architecturally pleasing LED emergency light offering emergency egress lighting in a very attractive housing. The sleek design blends seamlessly into any installation and provides a much nicer alternative to typical “bug-eye” units. The SSL is ideal for retail stores, hotels, schools, restaurants and office buildings.


ORDERING INFORMATION

MODEL	HOUSING COLOR	OPTIONS
SSL	W = White	NC = Nicad Battery
	B = Black	WG = Wireguard
		VRS = Vandal Resistant Shield

Ordering Example: SSL-W

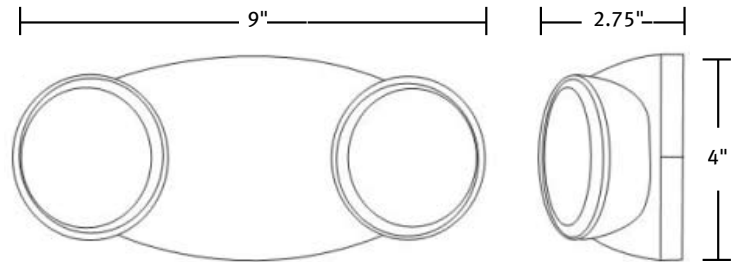
THERMOPLASTIC LED EMERGENCY LIGHT

The SQ-LED thermoplastic emergency light is the most economical LED emergency light available today. Compared to typical “bug-eye” units, the use of LED lamps instead of traditional incandescent lamps reduces the size of the unit by 50%. The SQ-LED is ideal for all types of applications, from commercial to retail. The SQ-LED is favored for its sturdy construction and long lasting nickel cadmium battery backup system.



BENEFITS & FEATURES

- Damp location rated
- Universal J-box mounting with quick-connect adapters for fast, simple installation
- Wall or Ceiling mounting
- Most compact emergency light on the market
- Unique, fully adjustable round LED lamp heads
- Completely self-contained
- Fully automatic operation
- 3.6v premium grade, nickel cadmium battery with 10 year expected life
- Environmentally coated, solid state charger
- Low voltage disconnect, protects battery from deep discharge
- 120/277 VAC operation
- Fully adjustable 1.0 watt, glare-free lighting heads
- Injection-molded, V-0 flame retardant, high impact, thermoplastic housing
- Low-profile test switch and LED charge rate indicator light
- Regulated charge voltage
- AC lockout
- Overload/short circuit protection
- Brown-out protection
- UL 924 Listed



ORDERING INFORMATION

MODEL	HOUSING COLOR	OPTIONS
SQ-LED	W = White	WG = Wire Guard
	B = Black	VRS = Vandal Resistant Shield

Ordering Example: SQ-LED-B

BENEFITS & FEATURES

- Completely self-contained
- Fully automatic operation
- 90 Minute emergency operation
- Compact, low-profile design
- Injection molded, flame-retardant, high-impact, thermoplastic housing
- Low voltage disconnect
- Dual voltage 120/277
- 6-Volt premium grade, maintenance-free battery
- Environmentally coated, solid state charger
- Standard with fully adjustable 5.4 watt, glare-free light heads
- Charge rate/power on LED indicator light
- Push-to-test switch
- Remote capability (SQ-120)
- Damp location rated
- ETL and UL listed

SELF DIAGNOSTICS (SD OPTION)

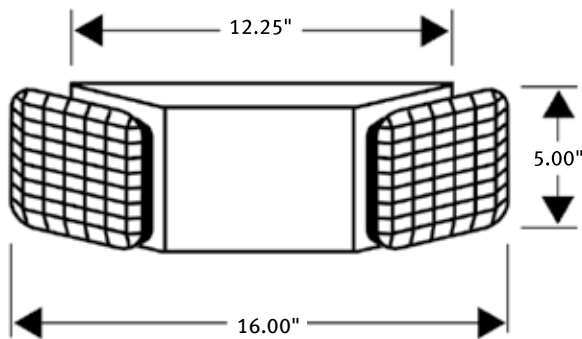
Continually diagnoses unit performance and tests system (auto battery discharge every 30 days for 30 minutes and once every 12 months for 90 minutes) to meet electrical and life safety codes.

SQUARE HEAD EMERGENCY LIGHT

The decorative and efficient Econo-Lite™ Series is ideal for commercial and institutional environments where appearance, ease of installation and low maintenance is desired. The modern, low-profile design of these emergency lighting units facilitates use in limited space applications without sacrificing performance. The universal mounting plate features a labor-saving Quick Connect plug.



AVAILABLE WITH KRYPTON LAMPS


ACCESSORIES

ACCESSORY	DESCRIPTION
WG5	Wire Guard
SQRM-1	Matching Single Remote Head
SQRM-2	Matching Double Remote Head
VRS3	Vandal Resistant Shield

Add suffix to model or order separately

ORDERING INFORMATION

MODEL	DESCRIPTION	OPTIONS
SQ-80	Two-Headed, Decorative Unit	SD = Self-Diagnostics
SQ-120	Two-Headed, Decorative Unit with Remote Capability (11 Watts)	NC = NiCad Battery
		BL = Black Housing
		3CP = 3 Wire Cord
		KL5 = 5.4 Watt Krypton Lamps
		KL9 = 9.0 Watt Krypton Lamps (SQ-120 only)
		IH = Internal Heater
		USA = Assembled in USA

Ordering Example: SQ-80-3CP

LOW PROFILE EMERGENCY LIGHT

The Radius Series Emergency Light units meet the design needs of today's specifier. Combining innovative design with reliable solid state electronics, the Radius Series has the look and performance demanded by today's building environment. The unique snap-together construction and easy-to-adjust lamps make this unit easy to install, maintain and service.



MR-1



MR-2

ACCESSORIES

ACCESSORY	DESCRIPTION
WG6	Wire Guard
MR-1	Single Remote Head with Plate
MR-2	Double Remote Head with Plate
VRS3	Vandal Resistant Shield

Add suffix to model or order separately

ORDERING INFORMATION

MODEL	WATTS	OPTIONS
MRD	11	SD = Self-Diagnostics
	22	NC = NiCad Battery
		BL = Black Housing
		10W = 10 Watt MR16 Lamps (MRD-22 only)
		IH = Internal Heater
		USA = Assembled in USA

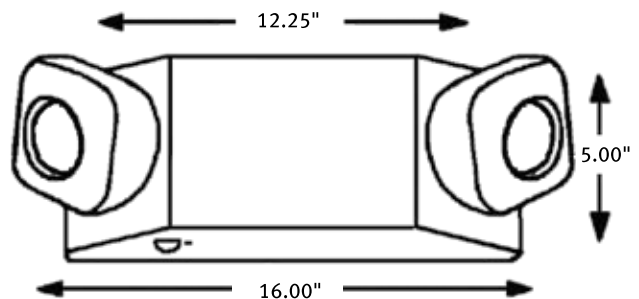
Ordering Example: MRD-22-SD

BENEFITS & FEATURES

- Low profile, contoured design
- UV stable thermoplastic housing
- Aimable light heads with high output MR16 lamps
- Universal mounting for simple installation
- Dual voltage 120/277 standard
- Sealed maintenance-free lead calcium battery
- Quick snap construction
- Solid state charger
- Automatic, low voltage disconnect
- Charge rate/power on LED indicator
- Push-to-test switch
- Remote capable models available (MRD-22)
- Reduced maintenance cost
- Unobtrusive protection
- 90 minute minimum emergency run time
- UL listed
- Two fully adjustable 6v 5w MR16 Halogen Lamp Heads

SELF DIAGNOSTICS (SD OPTION)

Continually diagnoses unit performance and tests system (auto battery discharge every 30 days for 30 minutes and once every 12 months for 90 minutes) to meet electrical and life safety codes.



BENEFITS & FEATURES

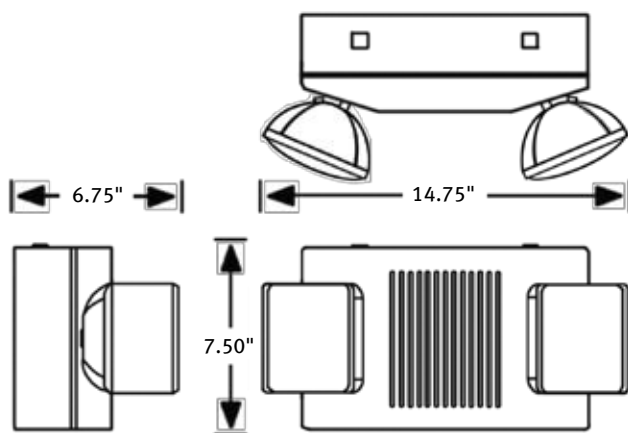
- Dual voltage input 120/277 VAC, 60Hz
- Maintenance free, sealed lead calcium batteries with a maximum full recharge time of 24 hours
- Low voltage disconnect of the battery prevents deep discharge and maintains battery life
- Brownout detection circuit will turn on emergency light during low voltage conditions
- Fully automatic, solid state charger
- Test switch with LED charge indicator/AC voltage indicator
- Line latching feature prevents the unit from turning on during installation to a non-energized AC circuit
- Saves labor since the installer does not have to return to connect the battery terminals once the building is energized
- UV stable thermoplastic housing
- Two attractive square shaped heads with rounded corners are adjustable allowing the end user to direct the light where it will be most useful, Vacuum metalized reflectors increase light output from the heads
- Standard with two 9 watt lamps
- Universal J box mounting
- UL 924 Listed
- UL Listed for damp location

ADJUSTABLE THERMOPLASTIC EMERGENCY LIGHT

The SQ-HO extends the sq family look with an attractive high wattage emergency light featuring a thermoplastic housing, soft rounded corners and adjustable square heads. Available in 6v and 12v models and up to 54w for powering remote heads.


SELF DIAGNOSTICS (SD OPTION)

Continually diagnoses unit performance and tests system (auto battery discharge every 30 days for 30 minutes and once every 12 months for 90 minutes) to meet electrical and life safety codes.


ORDERING INFORMATION

MODEL	VOLTAGE	WATTAGE	HEADS TYPE	OPTIONS
SQHO	6 (volt DC)	27 (6v only)	2 = 2 Heads	SD = Self-Diagnostics
	12 (volt DC)	54 (6v or 12v)	0 = No Heads	NC = NiCad Battery
				BL = Black Housing
				WG6 = Wire Guard
				KL9 = 9W Krypton Lamps
				12H = 12W Halogen Lamps

Ordering Example: SQHO-12-54-2-SD-WG6

INDOOR EMERGENCY LIGHTING UNIT

The MRD High Output Series is an indoor emergency lighting unit with 54W capacity utilizing a sealed lead-calcium battery in 6 or 12 VDC. Supplied with two various wattage halogen MR16 lamps which provide increased spacing, additional run-time and/or increased remote capacity. The integrated lamp design offers greater protection from vandalism.

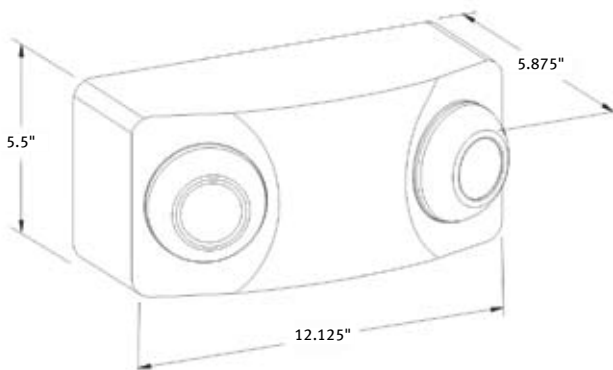
BENEFITS & FEATURES

- Aimable Light Heads with High Output MR16 Lamps
- Low Profile Contoured Design
- UV Stable Thermoplastic Housing
- White Finish Standard
- Snap-together Design
- Universal Mounting for Simple Installation
- Remote Capacity
- Maintenance-free, Premium Grade Lead-Acid Battery
- Low Voltage Disconnect
- Available in 6 and 12 Volt Models
- Dual Voltage 120/277 Standard
- Solid-State Charger
- Charge Rate / Power On LED Indicator
- Push-to-Test Switch
- 90 Minute Emergency Runtime Minimum
- Available with Self Diagnostics
- Damp Location rated
- NFPA 101 (Life Safety Code)
- NFPA 70 (National Electrical Code)



SELF DIAGNOSTICS (SD OPTION)

Continually diagnoses unit performance and tests system (auto battery discharge every 30 days for 30 minutes and once every 12 months for 90 minutes) to meet electrical and life safety codes.



ORDERING INFORMATION

MODEL	VOLTAGE	WATTAGE	LAMPS	OPTIONS
MRD-HO	6 = 6 volt	54 = 54 watts	2 x 6W	SD = Self Diagnostics
	12 = 12 volt		2 x 10W	WG6 = Wireguard
			2 x 25W	LED3W = Two 3 Watt LED MR 16 Style Lamps

Ordering Example: MRD-HO-12-54-2x10W-SD

BENEFITS & FEATURES

- Unique trapezoidal design
- Futuristic, low profile style
- Meets ADA fixture specifications
- Fully automatic solid state charger
- 120/277 volt dual input transformer
- Sealed maintenance-free battery standard
- Completely self-contained
- Test switch & LED ready indicator
- Easy to install, labor saving snap-together housing
- Ceiling or wall mount
- Low voltage disconnect
- Battery lockout circuit
- Provides 90 minutes of emergency run time

BATTERY

6 volt, maintenance-free and fully UL recognized for the loss of electrolyte through gassing, the battery shall operate by the premise of electrolyte recombination.

HOUSING AND LENS

The lamp assembly must not protrude beyond the boundary dimensions of the housing. The Housing shall be constructed of high impact UL recognized thermoplastic. The units shall resist denting, peeling, scratching and corrosion. Lamps shall be high intensity all-glass wedge base type. The Fresnel lens shall be constructed of polycarbonate.

MOUNTING

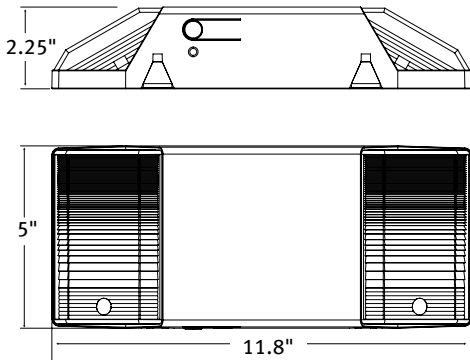
The unit shall be mountable in any orientation, on walls or ceilings. A universal mounting pattern, rear key hole slots and conduit entry from the top shall be provided.

CONTEMPORARY, LOW-PROFILE EMERGENCY LIGHT

With a sleek design and dependable performance, the Lite-Way Series will accommodate virtually any application. These attractive units are stylized to enhance safety, yet not intrude upon upscale decors. Unique snap-together design offers easy installation and dependable performance in a low-profile, contemporary design.

SUGGESTED SPECIFICATIONS

Specify, supply and install Mule Lite-Way Emergency Lighting Series. Units shall be fully automatic, self-contained, maintenance-free and listed to UL 924 standard.


ACCESSORIES

ACCESSORY	DESCRIPTION
WG5	Wire Guard
VRS3	Vandal Resistant Shield

Add suffix to model or order separately

ORDERING INFORMATION

MODEL	OPTIONS
EM-80	NC = Nickel Cadmium Battery BL = Black Housing

Ordering Example: EM-80-WG5

HIGH IMPACT, THERMOPLASTIC EMERGENCY LIGHT

With appealing design and dependable performance, the Lite-Way Series will accommodate virtually any application. These attractive units are complemented by the durability and simplicity of a high-impact thermoplastic housing. When economy and appearance are primary concerns, the Lite-Way Series is the answer.

SUGGESTED SPECIFICATIONS

Specify, supply and install Mule Lite-Way Emergency Lighting Series. Units shall be fully automatic, self-contained, maintenance-free and listed to ul 924 standard.

CIRCUIT DESIGN

Circuit must include a 120/277-volt dual input transformer, automatic charger with instantaneous transfer, test switch and a long-life LED ready indicator light. The charger shall be current limited, temperature compensated, short-circuit proof and reverse polarity protected. The charger shall recharge the battery to rated capacity per ul Emergency Lighting Standard 924. Electronic controls shall include: Low Battery, Voltage Disconnect, Brownout Protection and Battery Lockout.

BENEFITS & FEATURES

- High-impact thermoplastic housing & lamp heads
- Hinged metal backplate for easy installation
- Battery lockout circuit
- Low voltage disconnect
- 120/277 volt dual input transformer
- Completely self-contained
- Sealed maintenance-free battery standard
- Test switch & LED ready indicator
- Ceiling or wall mount
- UL listed
- Provides 90 minutes of emergency run time

BATTERY

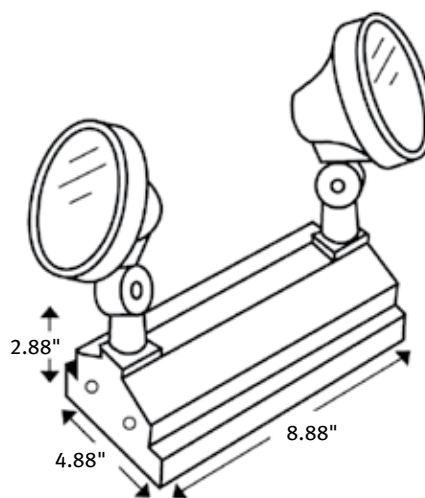
6 volt, maintenance-free and fully ul recognized for the loss of electrolyte through gassing. The battery shall operate by the premise of electrolyte recombination.

HOUSING, HEADS AND LENS

The Housing and Heads shall be constructed of high-impact UL recognized thermoplastic. The units shall resist denting, peeling, scratching and corrosion. Lamps shall be high intensity all-glass wedge base type. The Fresnel lens shall be constructed of polycarbonate.

MOUNTING

The unit shall be mountable in any orientation, on walls or ceilings. A universal mounting pattern, rear key hole slots only (unit hinges on back plate).



ACCESSORIES

ACCESSORY	DESCRIPTION
WG5	Wire Guard

Add suffix to model or order separately

ORDERING INFORMATION

MODEL	OPTIONS
BKEM-2A	NC = Nickel Cadmium Battery
	HAL = Halogen Lamps
	DL = Damp Location

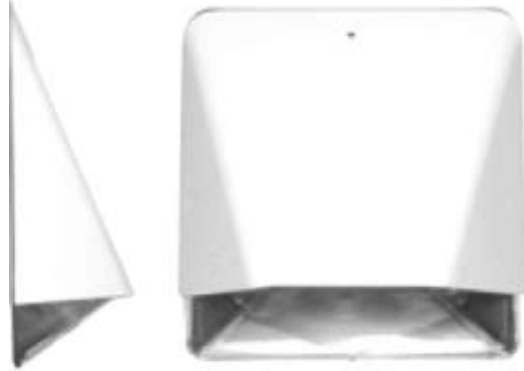
Ordering Example: BKEM-2A-WG5

BENEFITS & FEATURES

- Extremely low profile, formed aluminum housing
- Standard finish is white satin paint; custom colors available
- Contoured prismatic lens generates a uniform elongated lighting pattern over required path of egress
- Lamps are connected in parallel, if one lamp fails, one or more lamps will continue in operation
- Universal 120/277 VAC input for standard battery or AC unit, or 24 VDC input for remote configuration
- Power supply delivers regulated current and voltage to LED lamps at optimum levels to maximize lamp life
- Dual function operation for night or security lighting as well as emergency lighting
- Very low power consumption in night / security mode
- Over 50,000 hour lamp life in normal use
- Manufactured and tested to UL Standard 924 and NFPA Life Safety Code 101

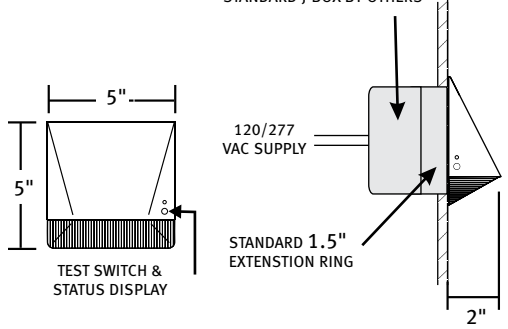
LED INTERIOR LUMINAIRE

The ELW features an architectural aluminum housing designed for interior use. At only 5" x 5", this sleek unit is the lowest profile emergency LED wall pack available. It features a high light output that allows for fixture Spacing up to 45FT for 1FC average illumination along the Path of egress. Ideal for any indoor application requiring attractive unit equipment.



UNIT EQUIPMENT

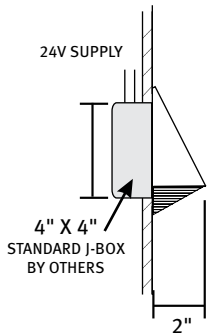
4" X 4" X 2.125"
STANDARD J-BOX BY OTHERS



DUAL FUNCTION OPERATION

All ELW fixtures have a dual lighting function, for normal ambient lighting as well as emergency lighting. The night lighting option delivers big power savings, or can act as a low-energy booster for conventional ambient lighting fixtures.

REMOTE HEAD FOR USE WITH CENTRAL BATTERY SYSTEM



ORDERING INFORMATION

MODEL	OPERATION	POWER RATING	HOUSING COLOR	OPTIONS
ELW	BB = Battery Backup	10L2 = 10 Watts / 2 Lamp	W = White	DG = Battery Diagnostics
	RE = Remote	15L3 = 15 Watts / 3 Lamp	B = Bronze	DP = Damp Location
	AC = AC Supply 120/277	8L2 = 8 Watts AC		SB = Security Lighting Control (BB)
		12L3 = 12 Watts AC		SD = Security Lighting Control (DG)

Ordering Example: ELW-BB-15L3-W-DP

LED DOWN-LIGHT LUMINAIRE

The ELS features an architectural aluminum housing designed for interior use. This sleek unit offers several mounting options and is available with a satin white or custom finish. The high light output allows for fixture spacing up to 50FT for 1FC average illumination along a 6FT path of egress. Ideal for any indoor application requiring attractive unit equipment.

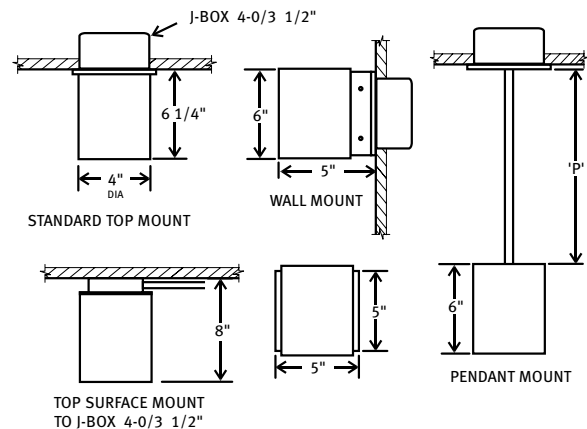


DUAL FUNCTION OPERATION

All ELS fixtures have a dual lighting function, for normal ambient lighting as well as emergency lighting. The night lighting option delivers big power savings, or can act as a low-energy booster for conventional ambient lighting fixtures.

BENEFITS & FEATURES

- Housing and canopy plate from rugged extruded aluminum
- Mounts cleanly with standard back plate to wall or ceiling, or direct to j-box for exposed conduit applications, such as unfinished ceilings
- Standard satin white finish; custom paint or satin anodized finishes are also available
- High power LEDs and optical lenses produce an optimized elongated pattern along the path of egress
- The most cost-effective emergency lighting possible, with extremely low power consumption and lamp life exceeding 50,000 hrs
- Provides 1 FC average emergency lighting along the path of egress from standard ceiling heights, with spacing of over 50 ft.
- Power consumption 8 watts in emergency mode and about 4 watts for night lighting or security mode
- When installed for dual mode operation (emergency and night or security lighting), these units provide tremendous energy savings compared to conventional lighting, up to \$.50 per sq. ft. of lit are.
- Optional battery diagnostics available for all models
- Lamps are connected in parallel, If one lamp fails, one or more lamps will continue in operation
- Universal 120/277 VAC input for standard battery or AC unit, or 24 VDC input for remote configuration
- Power supply delivers regulated current and voltage to LED lamps at optimum levels to maximize lamp life



ORDERING INFORMATION

MODEL	OPERATION	POWER RATING	HOUSING COLOR	OPTIONS
ELS	BB = Battery Backup	10L2 = 10 Watts / 2 Lamp	W = White	DG = Battery Diagnostics
	RE = Remote	15L3 = 15 Watts / 3 Lamp	X = Custom	LT = Low Temp. Operation
	AC = AC Supply 120/277	8L2 = 8 Watts AC		SB = Security Lighting Control
		12L3 = 12 Watts AC		DP = Damp Location
				WM = Wall Mount
				SMJ = Surface Mount to J-Box
				P6 = 6" Pendant Mount
				P12 = 12" Pendant Mount

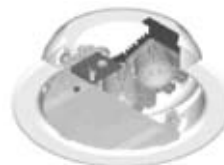
Ordering Example: ELS-BB-10L2-W-SMJ

BENEFITS & FEATURES

- 4" Trim ring installation with standard can
- Lamps are connected in parallel, If one lamp fails, one back plate or more lamps will continue in operation
- Universal 120/277 VAC input for standard battery or AC unit, or 24 VDC input for remote configuration
- LED driver regulates current and voltage to LED lamps at optimum levels to maximize lamp life
- Dual function operation for night or security lighting as well as emergency lighting
- Very low power consumption in night/ security mode, This unit offers tremendous energy savings when compared to any fluorescent or incandescent lighting systems during night operations
- Over 50,000 hour lamp life in normal use
- IES photometric data available for all models
- Manufactured and tested to UL Standard 924 and NFPA Life Safety Code 101

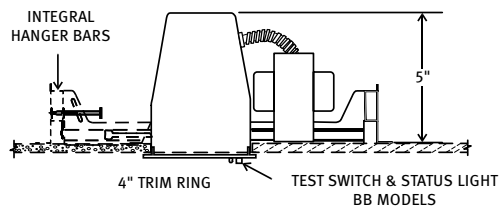
LED RECESSED DOWN-LIGHT LUMINAIRE

The ELD features an architectural recessed housing designed for interior use. This sleek unit is available with a satin white or custom finish. Very effective in long corridors, it is inconspicuous and will blend with general lighting fixtures without affecting the appearance of ceiling layouts. The high light output allows for fixture spacing up to 55FT in 9FT ceilings. Ideal for any indoor application requiring attractive unit equipment.



DUAL FUNCTION OPERATION

All ELD fixtures have a dual lighting function, for normal ambient lighting as well as emergency lighting. The night lighting option delivers big power savings, or can act as a low-energy booster for conventional ambient lighting fixtures.



ORDERING INFORMATION

MODEL	OPERATION	POWER RATING	HOUSING COLOR	OPTIONS
ELD	BB = Battery Backup	10L2 = 10 Watts / 2 Lamp	W = White	DG = Battery Diagnostics
	RE = Remote	15L3 = 15 Watts / 3 Lamp	X = Custom	DP = Damp Location
	AC = AC Supply 120/277	8L2 = 8 Watts AC		SB = Security Lighting Control (BB)
		12L3 = 12 Watts AC		SD = Security Lighting Control (DG)

Ordering Example: ELD-BB-15L3-W-DG

LOW-PROFILE EMERGENCY LIGHT

The Recessed Series of low-profile, decorative emergency lighting units combines a contemporary appearance with state-of-the-art electronics. These aesthetically pleasing units are the products of choice where a recessed installation is desired. Ideal for stores, hospitals, offices and school corridors. Units are designed for fast, easy, recessed installation in wall or ceiling.

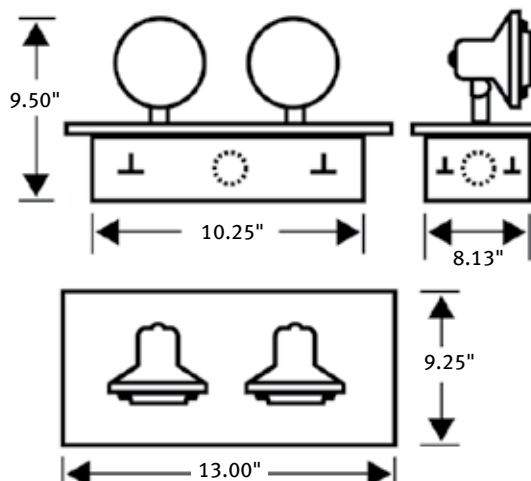
BENEFITS AND FEATURES

- Completely self-contained
- Fully automatic, 90-minute operation
- Compact, low profile design
- Low voltage disconnect
- Dual voltage 120/277
- Premium grade, maintenance-free battery
- Provides a minimum emergency duration of 90 minutes
- Environmentally coated, solid state charger
- Standard with two fully adjustable, 9 watt lamp heads
- Easy, recessed installation in wall or ceiling
- Housing constructed from durable 20 gauge steel
- Charge rate/power on LED indicator light
- Push-to-test switch
- Certified by ETL or UL924 standards



LAMP SELECTION

TYPE	OPTIONS	WATTS
6V Tungsten	Standard:	9W
	Halogen (H):	8W, 10W, 12W
6V Sealed Beam	Standard (SB):	9W, 12W
	Halogen (SBH):	12W
12V Tungsten	Standard:	9W
	Halogen (H):	12W
12V Sealed Beam	Standard (SB):	12W
	Halogen (SBH):	8W



ORDERING INFORMATION

MODEL	VOLTAGE	WATTS	HEAD TYPE	LAMP TYPE	OPTIONS
REL	6 (volt DC)	18 (6v)	2 = Two Heads	See Lamp Selector	SD = Self-Diagnostics
	12 (volt DC)	27 (6v)	0 = No Heads		NC = NiCad Battery
		36 (6v, 12v)			TD = Time Delay (Specify Volt)
		54 (6v, 12v)			MRB = MR16 Bullet Heads (9w)
					PREM = Premium Package.
					Includes: SD, NC, TD, & MRB
					BL = Black Housing/Heads

Ordering Example: REL-6-27-2-6VSB-9W-SD

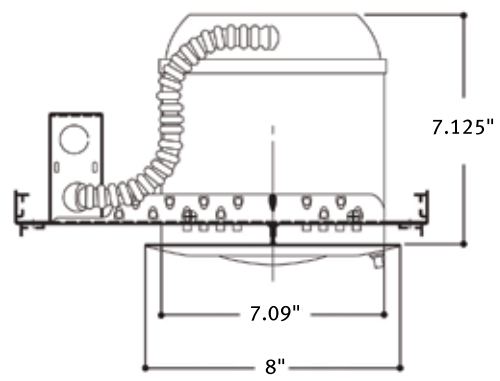


BENEFITS AND FEATURES

- Completely self-contained
- Fully automatic, 90-minute operation
- Low profile design
- All metal housing and 6" gimbal assembly
- Matte white baked enamel finish
- High-output 6 volt, 8 watt halogen lamp
- Lamp adjusts in two planes to 26°
- Automatic battery protection (LVD)
- Dual voltage 120/277 input
- Premium grade, maintenance-free battery
- Surge protection
- Environmentally coated, solid state charger
- Charge rate/power on LED indicator light
- Push-to-test switch
- Easily installed
- CCEA Plenum Rating Certified
- Certified by ETL or UL924 standards

GIMBAL EMERGENCY LIGHT

The Recessed Series of low-profile, decorative emergency lighting units combines a contemporary appearance with state-of-the-art electronics. These aesthetically pleasing units are the products of choice where a recessed installation is desired. The gimbal mounted lamp provides directional aiming and blends inconspicuously with existing recessed installations. Ideal for stores, hospitals, offices and school corridors.



ORDERING INFORMATION

MODEL	TRIM COLOR
RG-80	WH = White
	BL = Black

Ordering Example: RG-80-WH

FULLY RECESSED ARCHITECTURAL EMERGENCY LIGHT



BENEFITS & FEATURES

- Following AC power failure, cover doors open instantly and provide emergency lighting to area required, with automatic retraction when AC power is restored
- Cover doors may be color matched, textured, or even wall-papered to match any interior finish, When closed in normal mode, the unit is almost invisible
- Universal Wall or Ceiling mount
- Doors are operated automatically using a spring and solenoid with magnetic latch for years of worry-free operation
- Flush fitting covers feature internal reflective surfaces to maximize light output
- No unauthorized access to lamp heads prevents tampering

LIGHTING

- Dual MR16 Quartz Halogen lamps available in 20,35,50, or 75 W
- Lamps have a life of up to 5,000 hours, most installations will never require replacement
- Swivel mounted lamps are fully adjustable and lock into the desired position

ELECTRONICS

- Universal AC input 120/277 VAC
- Low power consumption in standby mode
- Isolated switch mode power supply with regulated current and voltage output to lamp load and battery
- Automatic, controlled charge rate for fast charged and maximum battery life

AUTOMATIC BATTERY DIAGNOSTICS

- Advanced microprocessor continuously monitors all charger functions and battery condition
- Automatically performs all tests and visual indications as required by UL 924
- Multi-color LED diagnostic display
- Optional full-function alpha-numeric display (remote test panel).
- UL 924, N.E.C., OSHA, N.F.P.A. Life Safety Code 101

BATTERY RUN TIMES

LAMP WATTS	RUN TIME (HRS)	BATTERY TYPE	BACKBOX HEIGHT "A"
20	1.5 - 4.0	WB	15.5"
20	1.5 - 4.0	NC	15.5"
35	1.5 - 2.0	WB	15.5"
35	4.0	WB	23.0"
35	1.5 - 4.0	NM	15.5"
35	1.5 - 4.0	NC	15.5"
50	1.5 - 2.0	WB	15.5"
50	2.0 - 4.0	WB	23.0"
50	1.5	NC	15.5"
50	2.0	NM	15.5"
75	1.5 - 2.0	WB	23.0"
75	1.5	NM	15.5"

OPTIONS

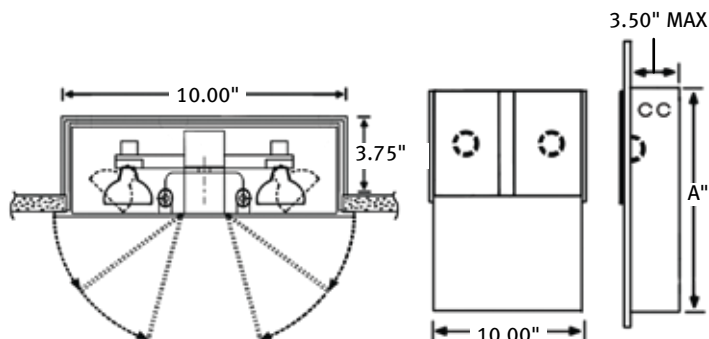
OPTION	DESCRIPTION
RB	Remote Battery
RTP	Remote Test Panel
DR	Damp Location Rated
SM	Surface Mounted

Add suffix to model

ORDERING INFORMATION

MODEL	LAMP WATTAGE	BATTERY TYPE	BATTERY RUN TIME	COLOR
CVT	20	WB = Sealed Lead Calcium	0 = 90 Minutes	BK = Black
	35	NC = Nickel Cadmium	2 = 2 Hours	WH = White
	50	NM = Nickel Metal Hydride	4 = 4 Hours	
	75			

Ordering Example: CVT-35-NC-0-WH



BENEFITS & FEATURES

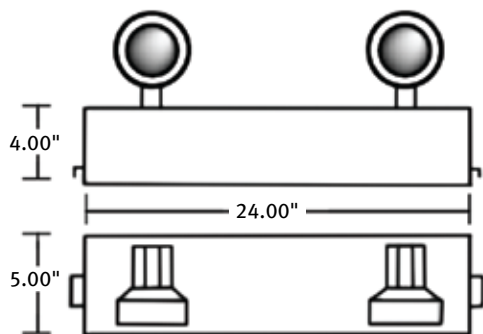
- Completely self-contained
- Sealed maintenance-free lead calcium batteries (calcium or pure lead)
- Provides a minimum emergency duration of 90 minutes
- Standard with 9 watt tungsten lamps
- 120/277 volt selectable input
- Low voltage disconnect
- Brownout protection
- 100% solid state charger
- Sealed relay
- Push-to-test switch
- LED indicator light
- Simplified drop-in mounting
- Matte white finish standard
- Certified by ETL

SELF DIAGNOSTICS (SD OPTION)

Continually diagnoses unit performance and tests system (auto battery discharge every 30 days for 30 minutes and once every 12 months for 90 minutes) to meet electrical and life safety codes.

RECESSED T-BAR EMERGENCY LIGHT

The C Series Emergency Light unit is easy to install and unobtrusive. This recessed fixture is designed for use in drop-panel ceilings and blends in to make it ideal for office and restaurant environments. Perfect for locations where there is limited wall space and where the greater directional flexibility of ceiling mounted heads is necessary to provide a wider light distribution.


LAMP SELECTION

TYPE	OPTIONS	WATTS
6V Tungsten	Standard:	9W
	Halogen (H):	8W, 10W, 12W, 20W
6V Sealed Beam	Standard (SB):	9W, 12W, 18W
	Halogen (SBH):	12W, 20W
12V Tungsten	Standard:	9W, 18W
	Halogen (H):	8W, 12W, 20W, 35W
12V Sealed Beam	Standard (SB):	12W, 18W
	Halogen (SBH):	8W

ORDERING INFORMATION

MODEL	VOLTAGE	WATTS	HEAD TYPE	LAMP TYPE	OPTIONS
C	6 (volt DC)	27 (6v)	2 = Two Heads	See Lamp Selector	SD = Self-Diagnostics
	12 (volt DC)	36 (6v, 12v)	0 = No Heads		NC = NiCad Battery
		54 (6v, 12v)			V = Voltmeter
		100 (6v, 12v)			TD = Time Delay (Specify Volt)
		125 (6v, 12v)			MRB = MR16 Bullet Heads
				CC = Custom Color	

Ordering Example: C-12-36-2-12VSB-18W-TD120

VANDAL RESISTANT LIGHT

The VR series of emergency lighting units are constructed from durable and secure polycarbonate and 18 gauge steel. The VR has been designed with the PulseGuard pulse switching charger. The PulseGuard offers superior performance and energy efficiency versus conventional constant voltage chargers. Single or double 10 watt halogen lamps can be ordered. Tamper resistant hardware is standard.

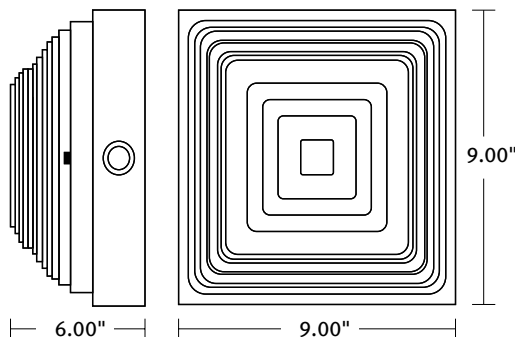


BENEFITS & FEATURES

- Constructed with an 18 gauge steel housing and impact resistant polycarbonate diffuser
- White powder coat finish is standard (other colors optional)
- Internal emergency light source available configured with single or double 10 watt halogen lamps
- External test switch and monitor LED are standard
- Universal 120/277 VAC input with solid state charging circuitry
- Suitable for surface wall or ceiling mounting
- Suitable for indoor installations
- Utilizes a pulse switching charger that is up to 70% more efficient than traditional constant voltage chargers
- All circuitry components are temperature compensated
- Maintenance free, sealed valve regulated lead acid battery
- Maximum working temperature is 50° C
- Self Diagnostics feature automatically monitors the functional operation

SELF DIAGNOSTICS (SD OPTION)

Continually diagnoses unit performance and tests system (auto battery discharge every 30 days for 30 minutes and once every 12 months for 90 minutes) to meet electrical and life safety codes.



ORDERING INFORMATION

MODEL	OPERATION	VOLTAGE	WATTAGE	LAMPS	OPTIONS
VR	ACEM = AC & Emergency	6 = 6 volt	12 = 12 watts (6v)	1 = Single 10W	SD = Self Diagnostics
		12 = 12 volt	22 = 22 watts (6v,12v)	2 = Double 10W	TD = Time Delay-Specify Voltage
					NC = Nickel-Cadium Battery

Ordering Example: VR-ACEM-12-22-2-SD

BENEFITS & FEATURES

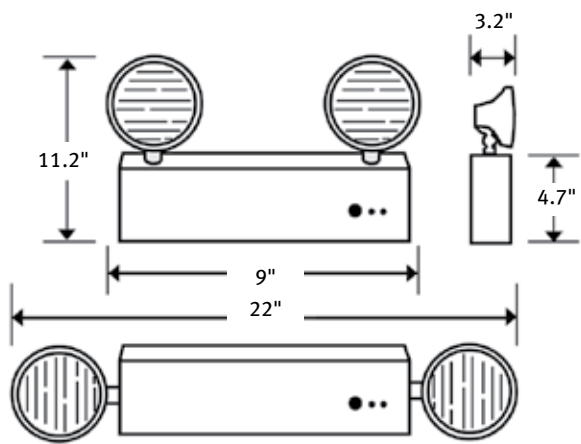
- Completely self-contained
- Sealed maintenance-free lead calcium batteries
- Provides a minimum emergency duration of 90 minutes
- Standard with 7.2 watt tungsten lamps
- 120/277 volt selectable input
- Low voltage disconnect
- Brownout protection
- 100% solid state charger
- Solid state relay
- Fully adjustable non-slip, high impact 94V-0, thermoplastic heads
- Dual LED AC pilot and "READY" indicators
- Push-to-test switch
- Labor saving universal mounting
- 20 gauge metal housing with white baked enamel finish
- Remote capability on larger models
- Certified by ETL to UL924 standards

SELF DIAGNOSTICS (SD OPTION)

Continually diagnoses unit performance and tests system (auto battery discharge every 30 days for 30 minutes and once every 12 months for 90 minutes) to meet electrical and life safety codes.

CONTEMPORARY EMERGENCY LIGHT

Compact and contemporary, the EC Series Emergency Light unit is designed for ease of installation and economy. The rugged steel housing and white baked enamel finish gives this series both industrial strength and an attractive appearance. The EC family of emergency lights are ideally suited for commercial and institutional facilities where appearance and durability are primary concerns. Available with remote capability.



LAMP SELECTION

TYPE	OPTIONS	WATTS
6V Tungsten	Standard:	7.2W, 9W
	Halogen (H):	8W, 10W, 12W
6V Sealed Beam	Standard (SB):	9W, 12W
	Halogen (SBH):	12W
12V Tungsten	Standard:	9W, 18W
	Halogen (H):	8W, 12W
12V Sealed Beam	Standard (SB):	12W, 18W
	Halogen (SBH):	8W

ORDERING INFORMATION

MODEL	VOLTAGE	WATTS	HEAD TYPE	LAMP TYPE	OPTIONS
EC	6 (volt DC)	12 (6v)	2 = Double PAR 36	See Lamp Selector	SD = Self Diagnostics
		18 (6v)			0 = No Heads
	27 (6v)	V = Voltmeter			
	36 (6v, 12v)	S = Side Mounted Heads			
	54 (6v, 12v)	BL = Black Housing			
					WG = Wire Guard
					TP = Tamperproof
					3CP = Cordset (120V only)

Ordering Example: EC-6-18-2-6VH-9W-BL

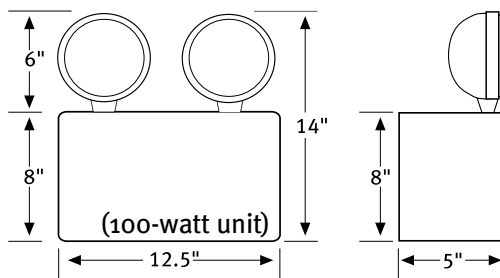
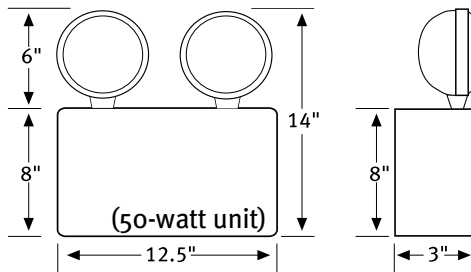
REMOTE CAPABILITY EMERGENCY LIGHT

The KES Series of commercial/industrial emergency lighting units combines a contemporary appearance with state-of-the-art electronics. The KES is an effective, functional unit, available with high capacity maintenance-free batteries for environments requiring remote capability or extended operating times.



BENEFITS & FEATURES

- Completely self-contained
- Fully automatic, 90-minute operation minimum
- 6 volt - standard with 7.2 watt tungsten lamps
- 12 volt - standard with 9 watt tungsten lamps
- Low voltage disconnect
- Dual voltage 120/277 with surge-protected circuitry
- Premium grade, maintenance-free battery
- Provides a minimum emergency duration of 90 minutes
- Environmentally coated, solid state charger
- AC lockout and brownout protection
- Standard with two fully adjustable, glare-free lamp heads
- Durable housing with neutral finish
- Charge rate/power on LED indicator light
- Push-to-test switch
- Damp Location
- UL listed



LAMP SELECTION

TYPE	OPTIONS	WATTS
6V Tungsten	Standard:	7.2W, 9W
	Halogen (H):	8W, 10W, 12W
6V Sealed Beam	Standard (SB):	9W, 12W, 25W
	Halogen (SBH):	12W
12V Tungsten	Standard:	9W, 18W
	Halogen (H):	8W, 12W
12V Sealed Beam	Standard (SB):	12W, 18W
	Halogen (SBH):	8W, 20W

ORDERING INFORMATION

MODEL	VOLTAGE	WATTS	# OF HEADS	LAMP TYPE	OPTIONS
KES	6 (volt DC)	54 (6V, 12V))	2 = Double PAR 36	See Lamp Selector	WG = Wire Guard
	12 (volt DC)	100 (6V, 12V)	0 = No Heads		USA = Assembled in USA

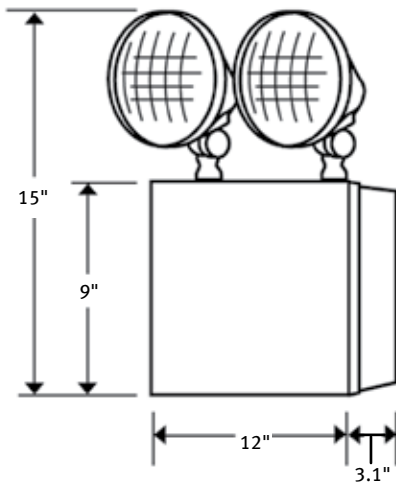
Ordering Example: KES-12-54-2-12VH-18W-WG

BENEFITS & FEATURES

- Completely self-contained
- Sealed maintenance-free lead calcium batteries
- Provides a minimum emergency duration of 90 minutes
- Standard with 9 watt tungsten lamps
- Rugged steel housing with white baked enamel finish
- 120/277 volt selectable input
- Remote capability on larger models
- Low voltage disconnect
- Brownout protection
- Universal mounting
- 100% solid state charger
- Sealed relay
- Fully adjustable, non-slip, high impact 94V-0, thermoplastic heads
- LED AC pilot and "READY" indicators
- Push-to-test switch
- Several lamp selections
- Available with 3 lamp heads
- Certified by ETL to UL924 standards

DURABLE EMERGENCY LIGHT

Compact and conventional, the LX Series emergency light units are ideal for commercial applications and designed for ease of installation and economy. The rugged steel housing and white baked enamel finish give the LX Series both industrial strength and an attractive appearance. This series is available in several voltages and wattages.


LAMP SELECTION

TYPE	OPTIONS	WATTS
6V Tungsten	Standard:	7.2W, 9W
	Halogen (H):	8W, 10W, 12W
6V Sealed Beam	Standard (SB):	9W, 12W
	Halogen (SBH):	12W
12V Tungsten	Standard:	9W, 18W
	Halogen (H):	8W, 12W, 20W, 35W
12V Sealed Beam	Standard (SB):	12W, 18W
	Halogen (SBH):	8W

ORDERING INFORMATION

MODEL	VOLTAGE	WATTS	HEAD TYPE	LAMP TYPE	OPTIONS
LX	6 (volt DC)	18 (6v)	2 = Double PAR 36	See Lamp Selector	SD = Self Diagnostics
	12 (volt DC)	27 (6v)	0 = No Heads		NC = NiCad Batteries
		36 (6v, 12v)			V = Voltmeter
		54 (6v, 12v)			A = Ammeter
		75 (6v, 12v)			TD = Time Delay (Specify Volt)
		100 (6v, 12v)			ERT = Extended Run Time
		125 (6v, 12v)			BL = Black Housing
					WG = Wire Guard
					3CP = Cord Set

Ordering Example: LX-12-100-2-12VSBH-8W-SD

REMOTE CAPABILITY EMERGENCY LIGHT

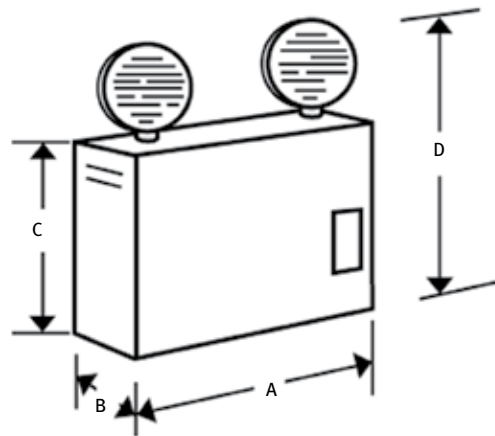
The MFC Series is ideal for individual applications where durability and reliability are prime concerns. With several styles, voltages and wattages available, the MFC Series can be used as a stand-alone fixture or in conjunction with remote heads to form an integrated system.

**BENEFITS & FEATURES**

- Requires fewer units to complete the job
- Sealed maintenance-free lead calcium batteries
- Provides a minimum emergency duration of 90 minutes
- Standard with 9 watt tungsten lamps
- 120/277 Volt Selectable input
- Low voltage disconnect
- Brownout protection
- 3 rate solid state charger
- High current capacity relay
- Push-to-test switch
- LED indicators
- AC & charge indicators
- 20 gauge metal housing with neutral white baked enamel finish
- Corrosion resistant
- Remote capability for all models
- Several lamp selections
- High impact 94V-0, thermoplastic, fully adjustable non-slip heads
- Certified by ETL to UL924 standards

LAMP SELECTION

TYPE	OPTIONS	WATTS
6V Tungsten	Standard:	9W
	Halogen (H):	8W, 10W, 12W, 20W
6V Sealed Beam	Standard (SB):	9W, 12W, 18W
	Halogen (SBH):	12W, 20W
12V Tungsten	Standard:	9W, 18W
	Halogen (H):	8W, 12W, 20W, 35W, 55W
12V Sealed Beam	Standard (SB):	12W, 18W
	Halogen (SBH):	8W
24V Tungsten	Standard:	9W, 18W, 24W
	Halogen (H):	20W, 70W

**DIMENSIONS**

MODEL	WEIGHT (LBS.)	DIMENSIONS (INCHES)			
		A	B	C	D
MFC-100/-200	33	13.00	8.00	10.00	16.00
MFC-300/-400	45	18.00	8.00	10.00	16.00

ORDERING INFORMATION

MODEL	VOLTAGE	WATTS	HEAD TYPE	LAMP TYPE	OPTIONS
MFC	6 (volt DC)	100 (6v, 12v)	2 = Double PAR 36	See Lamp Selector	SD = Self Diagnostics
	12 (volt DC)	125 (6v, 12v)	0 = No Heads		V = Voltmeter
	24 (volt DC)	150 (6v, 12v)			A = Ammeter
		200 (6v, 12v, 24v)			TD = Time Delay (Specify Volt)
		300 (6v, 12v, 24v)			ERT = Extended Run Time
		400 (12v, 24v)		BL = Black Housing	
				WG = Wire Guard	
				3CP = Cord Set	
				SV = Special Voltage (Specify)	

Ordering Example: MFC-12-200-2-12VSB-18W-SD

BENEFITS & FEATURES

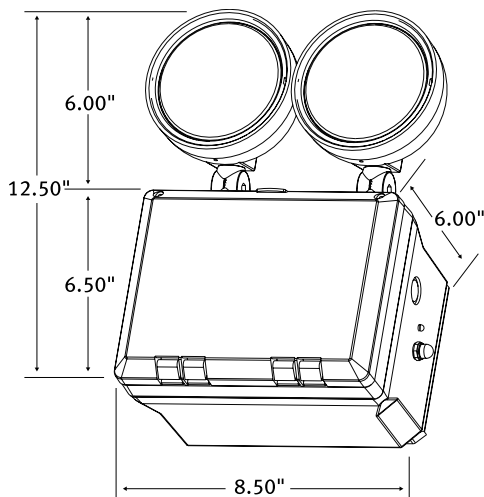
- ABS, corrosion resistant UV Stabilized enclosure
- Dual 120 or 277 VAC input, field selectable
- Automatic brownout feature
- Solid-state charging circuit
- Solid-state line-latched low voltage disconnect provides 100% load disconnect protection to guard against battery deep discharge
- Short circuit and overload protection on DC output circuit
- Sealed momentary test switch
- Sealed AC ready light
- Sealed and gasketed housing with hinged cover
- Integral breather vent
- Extended mounting brackets for simple wall mounting
- Sealed and gasketed weatherproof lighting heads with tempered glass lenses
- Listed for wet location applications (0°C–40°C)
- NiCad battery available (-20°C–50°C)
- Supplied with 6V, 7.2W Lamps
- Provides a minimum emergency duration of 90 minutes
- UL listed

WET LOCATION EMERGENCY LIGHT

The WLEM featuring an enclosure which is ideal for wet locations, resistant to corrosive atmospheres, non-hazardous dust environments and to water spray, splashing water or where hose downs frequently occur.


SELF DIAGNOSTICS (SD OPTION)

Continually diagnoses unit performance and tests system (auto battery discharge every 30 days for 30 minutes and once every 12 months for 90 minutes) to meet electrical and life safety codes.


ORDERING INFORMATION

MODEL	VOLTAGE	WATTS	HEADS	OPTIONS
WLEM	6 (volt DC)	18	2 = Double PAR 36	SD = Self-Diagnostics
		27	0 = No Heads	NC = NiCad Battery
				IH = Internal Heater
				USA = Assembled in USA

Ordering Example: WLEM-6-27-2-SD

LED OUTDOOR EGRESS LUMINAIRE

The EOE features a die-cast aluminum housing designed for exterior use in wet locations, but is also often used in interiors with potential hard use situations, such as gymnasiums or hallways in apartment or condominium complexes. Ideal for any application requiring attractive unit equipment.

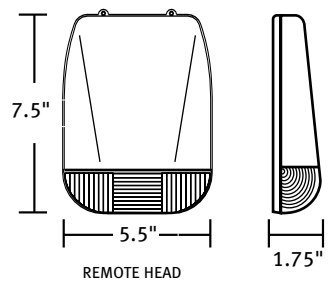
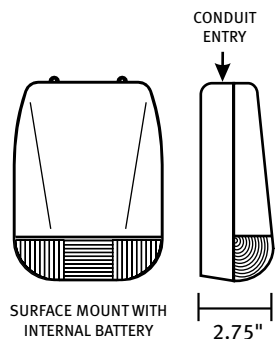


BENEFITS & FEATURES

- Rugged die cast aluminum housing
- Molded polycarbonate lens
- Waterproof and suitable for cold installations to -20 degrees
- Universal mounting pattern
- High power LEDs and prismatic lens produce an optimized elongated pattern along the path of egress
- Over 50,000 hour lamp life in normal use
- Very low power consumption in night/ security mode
- UL Standard 924 and NFPA Life Safety Code 101 compliant
- Automatic battery diagnostics available for all battery models
- Power supply delivers regulated current and voltage to LED lamps at optimum levels to maximize lamp life
- Universal 120/277 VAC input for standard battery or AC unit, or 24 VDC input for remote configuration
- Lamps are connected in parallel. If one lamp fails, one or more lamps will continue in operation

DUAL FUNCTION OPERATION

All EOE fixtures have a dual lighting function, for normal ambient lighting as well as emergency lighting. The night lighting option delivers big power savings, or can act as a low-energy booster for conventional ambient lighting fixtures.



ORDERING INFORMATION

MODEL	OPERATION	POWER RATING	HOUSING COLOR	OPTIONS
EOE	BB = Battery Backup	10L2 = 10 Watts / 2 Lamp	W = White	DG = Battery Diagnostics
	RE = Remote	15L3 = 15 Watts / 3 Lamp	B = Bronze	LT = Low Temp. Operation
	AC = AC Supply 120/277	8L2 = 8 Watts AC	X = Custom	SB = Security Lighting Control
		12L3 = 12 Watts AC		PH = Photocell Lighting Control

Ordering Example: EOE-BB-10L2-B-DG

BENEFITS & FEATURES

- High-output LED light source
- Daylight white, 5000K color temperature
- Design optimized wide area illumination patterns
- Indoor or Outdoor Applications
- Sturdy die-cast aluminum construction
- Contemporary, low-profile Design
- Standard electrical box and conduit entry provisions
- Wall or Ceiling Mounted
- Standard with Self-Diagnostics – EM & ACEM Models
- Universal 120/277VAC operation
- Fast, easy installation
- Temperature Range: -30°C to 50°C with Heater option
- UL 924 Listed
- UL Wet Location Listed

AVAILABLE OPERATION MODES

GENERAL LIGHTING MODE (AC)

In the AC mode, power is supplied from 120V or 277V AC source and is switched on/off with a photo-sensor or the unit may be switched on/off via wall switch allowing the unit to behave like a typical luminaire. Meets UL1598 and UL8750.

EMERGENCY MODE (EM)

Upon failure of normal utility power, the unit will automatically illuminate and provide a minimum of 90 minutes of emergency run-time powered by an internal nickel-cadmium battery. Meets UL924 and UL8750.

GENERAL LIGHTING & EMERGENCY MODE (ACEM)

Under normal utility power, the unit will function In AC mode as detailed above. Upon the failure of Utility power, the unit will function in EM mode as Detailed above. Meets UL1598, UL924 and UL8750.

ARCHITECTURAL/TRI-MODE/LED LUMINAIRE

An indoor/outdoor architecturally styled high performance LED Luminaire available with 'normally-on' operation powered by line voltage, emergency operation powered by a Nickel-Cadmium battery source or a combination of both. Low profile, die-cast aluminum housing available in four powder coat finishes: dark bronze, white, nickel and black.



Nickel



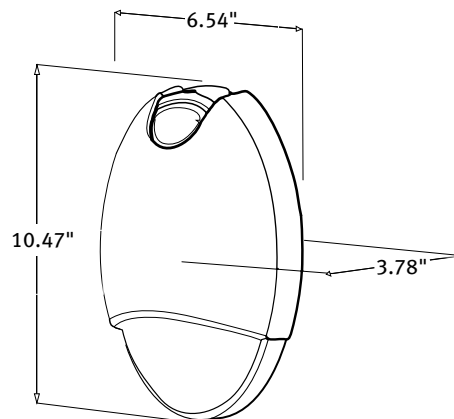
Black



Dark Bronze



White



ORDERING INFORMATION

MODEL	OPERATION MODE	HOUSING COLOR	OPTIONS
MAKO-LED	AC = General Lighting	DB = Dark Bronze	IH = Internal Battery Heater
	EM = Emergency Only	WH = White	
	ACEM = General and Emergency	BK = Black	
		NK = Nickel	

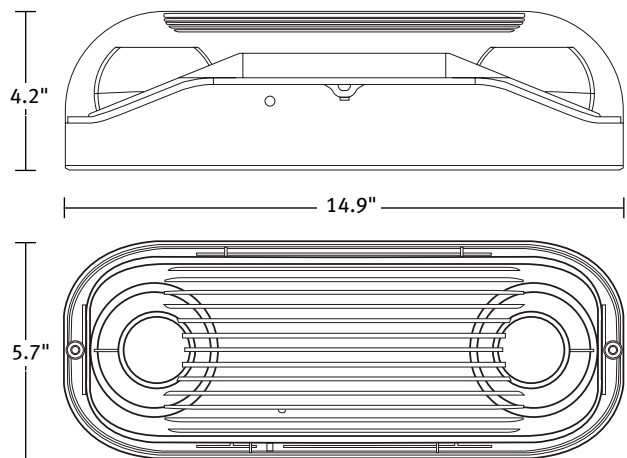
Ordering Example: MAKO-LED-ACEM-DB-IH

WET LOCATION LOW PROFILE EMERGENCY LIGHT

The Mule MRD-WL is ideal for wet locations, resistant to corrosive atmospheres, non-hazardous dust environments, and to water spray, splashing water or hose down locations. The adjustable halogen lamps are enclosed in a fully gasketed, corrosive resistant fiberglass enclosure designed to withstand the harshest environments.

**BENEFITS & FEATURES**

- Wet location listed, resistant to corrosive atmospheres, non-hazardous dust environments, and to water spray, splashing water or hose down locations
- Fully adjustable 7 watt halogen MR16 lamp heads
- Optional self-test/self diagnostics available
- Automatic brownout protection
- Contractor friendly, snap-together design
- AC lockout feature reduces installation time
- UL 94-5VA flame rating
- 120/277V dual primary 60Hz input
- Low voltage disconnect
- Temperature range 0°C - 50°C (-20°C with IH option)
- 90 minute emergency run time
- Sealed momentary test switch
- Maintenance-free sealed lead-calcium battery
- UL Listed

**ORDERING INFORMATION****MODEL**

MRD-WL

OPTIONS

SD = Self-Diagnostics

NC = Nicad Battery

IH = Internal Heater

Ordering Example: MRD-WL-SD

BENEFITS & FEATURES

- Reflector is made of injection molded, self-extinguishing, UV stabilized polycarbonate
- Reflector supports components including the lamp holder and reflective hood
- UV stabilized to reduce the yellowing index and provide superior light output
- Housing is constructed from high quality corrosion, flame and vandal resistant polycarbonate
- Configured with universal 120/277VAC
- Surface or recess ceiling and wall mounting
- Suitable for wet location installations
- Incorporates an efficient high output lens and reflector
- Vandal resistant flush housing latch clips ensure integrity and discourage fixture tampering
- Fully configured auto-test feature
- High efficiency Ni-Mh batteries
- IP65 / Wet location rating
- 24 watt compact fluorescent lamp with 1350 lumens during DC operation
- 5-year factory warranty, lamps are not covered under the warranty
- ADA Compliant

EMERGENCY LIGHT

The Riparo offers Italian design, reliability and increased fixture to fixture performance. The use of fluorescent technology allows for an improved spread of light, fewer units to install and maintain and creates a safer environment during a power failure. The lens is clear by design, allowing the greatest amount of light to be dispersed. Designed for wall or ceiling installations.



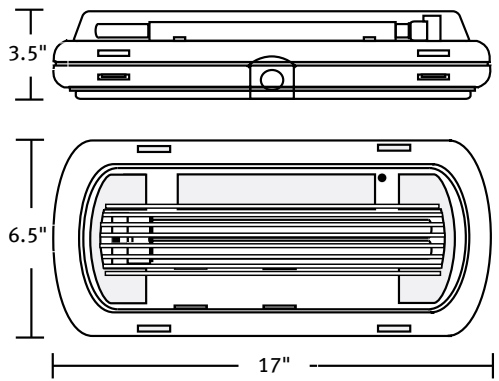
AUTO-TEST DIAGNOSTICS

The Riparo is supplied standard with a fully configured auto-test feature that continually monitors the functional operation of the unit. The lamp, battery and circuitry are continually tested to ensure proper operation. A visual display alerts of any malfunctioning component.

IP65/WET LOCATION GASKETING

The Riparo carries an IP65 / Wet location rating. Emergency units are especially vulnerable to fire sprinkler activation since emergency lighting units are often installed right next to sprinkler heads. The IP65 / Wet location rating ensures protection not just from ambient moisture but also from jets of water like those given off by broken or activated sprinkler heads.

The Riparo unit incorporates a 24 watt compact fluorescent lamp with 1350 lumens during DC operation. The Riparo operates at 75% during emergency operations. This in turn, translates into energy efficiency, increased fixture spacing and lower installation costs.



ORDERING INFORMATION

MODEL	OPERATION	OPERATION	HEADS	OPTIONS
RP	24 (1 x 24w CF fluorescent)	A = AC Only B = Emergency Only	UNV (120/277V)	NM = Ni-Mh batteries RTD = Recess Trimplate Drywall RTT = Recess Trimplate T-Bar

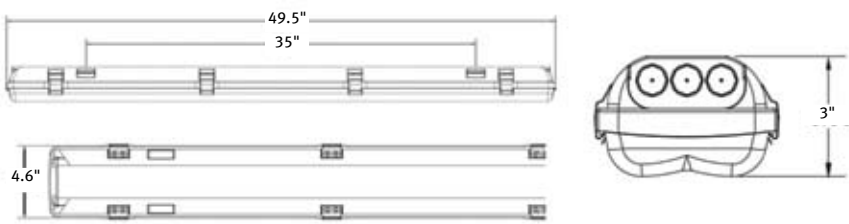
Ordering Example: RP-24-B-UNV-NM-RTD

FLUORESCENT SURFACE LUMINAIRE

The BS101 is a high efficiency, dual lamp luminaire that has been designed to offer an alternate solution to more traditional designs. The four foot version is easily installed. The three piece design snaps together without the need of any tools. The BS101 weighs a mere 6lbs. This versatile luminaire is constructed from 100% polycarbonate material and incorporates stainless steel hardware. The liquid silicon gasketing effectively seals the unit from the environment. Wet location/IP65 rated, the BS101 is ideal for breezeways, parking decks, service corridors and lowbay installations.

BENEFITS & FEATURES

- 100% UV stabilized polycarbonate material housing
- Integrated liquid silicone perimeter gasket with memory retention
- Recessed stainless steel mounting brackets
- Single parabolic high emission reflector
- Direct mount reflector configuration supports all electrical components
- High performance diffuser
- Complete light emission (CLE) technology
- Rubberized polycarbonate and acrylic to optimize durability and clarity
- Two (2) T8 ratchet type sockets
- 3-wire, solid type 18awg, prestripped 12" leads for quick in-field connection with integrated tool free, hot load disconnect feature
- Weighs 6lbs



ORDERING INFORMATION

MODEL	OPERATION	LENGTH	INPUT	LAMPS	OPTIONS
BS101	AC = AC Only	4 = 4 foot	120V	232W = 2x32W T8	SS = Stainless Steel Clips
	ACEM = AC & Emergency		277V		AC = Aviation Cable
			120/277V		PK = Pendant Kit
			347V		FP = Inline Fuse Protection

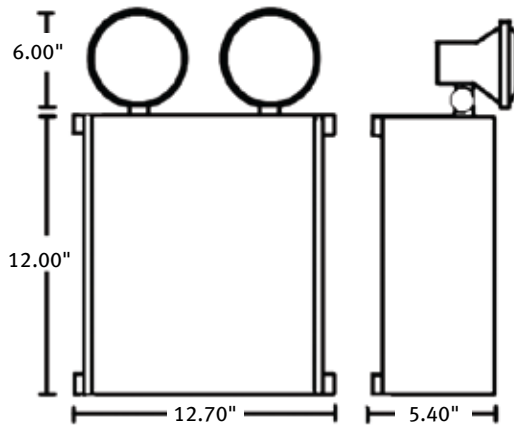
Ordering Example: BS101-ACEM-4-120V-232-SS

BENEFITS & FEATURES

- NEMA12X rating
- 16 gauge steel cabinet
- Fully gasketed and hinged front access panel to allow trouble-free installation and maintenance
- Industrial grey powder coat finish is standard
- PAR36 top mounted heads
- Magnum terminal connectors allow for larger gauge wires
- Integral mounting feet for positive and secure installations
- Suitable for wall, ceiling, and pendant mounting
- Pulse switching charger
- Low voltage disconnect
- Brownout and short circuit protection
- Dual diagnostic LED display indicates AC/ON and High Charge
- External push-to-test button
- Designed with maintenance-free, sealed valve regulated lead acid battery
- Temperature range 0°c - 50°c (-20°c with IH option)
- Provides a minimum emergency duration of 90 minutes
- Standard with 9 watt tungsten lamps
- Certified by ETL

DURABLE STEEL EMERGENCY LIGHT

The NEMA 12 series of industrial emergency lighting units are designed for durability and dependability. The NEMA 12 gasketed steel housing can be used in areas that generate dust, lint, fibers, dripping water and condensation. The NEMA 12 is designed with the PulseGuard pulse switching charger. The PulseGuard offers superior performance and energy efficiency versus conventional constant voltage chargers. Traditional top mounted par 36 style heads are standard.


LAMP SELECTION

TYPE	OPTIONS	WATTS
6V Tungsten	Standard:	9W
	Halogen (H):	8W, 10W, 12W, 20W
6V Sealed Beam	Standard (SB):	9W, 12W, 18W
	Halogen (SBH):	12W, 20W
12V Tungsten	Standard	9W, 18W
	Halogen (H):	8W, 12W, 20W, 35W
12V Sealed Beam	Standard (SB):	12W, 18W
	Halogen (SBH):	8W

ORDERING INFORMATION

MODEL	DC VOLTAGE	CAPACITY	HEADS TYPE	LAMP TYPE	OPTIONS
JC	6	27 (6v)	2 = Double PAR 36	See Lamp Selector	SD = Self-Diagnostics
		36 (6v, 12v)	0 = No Heads		NC = NiCad Battery
	54 (6v, 12v)		V = Voltmeter		
	72 (6v, 12v)		A = Ammeter		
	100 (6v, 12v)		TD = Time Delay (Specify Volt)		
	125 (6v, 12v)		TP = Tamperproof Screws		
					FP = Food Prep Lens
					MH = Metal Heads PAR 36
					IH = Internal Heater (Specify Volt)
					3CP = Cord Set

Ordering Example: JC-6-54-2-6VSB-9W-NC

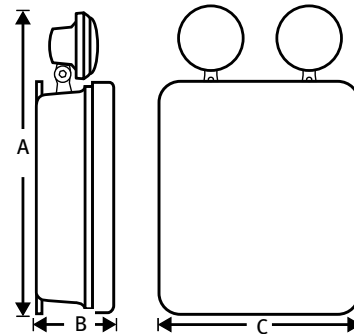
WET LOCATION EMERGENCY LIGHT

The NEMA 4X Series is ideal for use in industrial facilities with harsh or corrosive environments, where a sealed and gasketed maintenance-free unit, with oil-, water-, and dust-tight construction, is required. The NEMA 4X Series is available in 6 or 12 volts and a wide range of wattages.



BENEFITS & FEATURES

- NEMA 4X rating
- Sealed and gasketed construction
- Reinforced fiberglass housing with gray epoxy finish
- Lamp terminals, heads & swivels are sealed with construction grade RTV silicon
- Sealed maintenance-free lead calcium batteries
- Provides a minimum emergency duration of 90 minutes
- Standard with 9 watt tungsten lamps
- Universal 120/277V selectable input
- Low voltage disconnect
- Brownout and short circuit protection
- Pulse switching charger
- Push-to-test switch
- Dual Diagnostic LED display
- Temperature range 0°c - 50°c (-20°c with IH option)
- High impact 94V-0, thermoplastic fully adjustable non-slip heads
- Provided with pre-drilled mounting flanges for wall or column mounting
- Certified by ETL



LAMP SELECTION

TYPE	OPTIONS	WATTS
6V Tungsten	Standard:	9W
	Halogen (H):	8W, 10W, 12W, 20W
6V Sealed Beam	Standard (SB):	9W, 12W, 18W
	Halogen (SBH):	12W, 20W
12V Tungsten	Standard:	9W, 18W
	Halogen (H):	8W, 12W, 20W, 35W, 50W
12V Sealed Beam	Standard (SB):	12W, 18W
	Halogen (SBH):	8W

DIMENSIONS

WATTAGE	DIMENSIONS (INCHES)		
	A	B	C
27W	8	5	6
36W	8	4	10
54W-100W	12	5	10
200W	14	6	12
300W	16	6	14
400W	18	6	16

ORDERING INFORMATION

MODEL	VOLTAGE	WATTS	HEAD TYPE	LAMP TYPE	OPTIONS
NM4	6 (volt DC)	27 (6V)	2 = Double PAR 36	See Lamp Selector	SD = Self Diagnostics
		36 (6V, 12V)	0 = No Heads		NC = NiCad Battery
	54 (6V, 12V)		V = Voltmeter		
	75 (6V, 12V)		A = Ammeter		
	100 (6V, 12V)		TD = Time Delay (Specify Volt)		
	200 (12V)		FP = Food Prep Lens		
	300 (12V)		IH = Internal Heater (Specify Volt)		
	400 (12V)		WG = Wire Guard		

Ordering Example: NM4-12-100-2-12VSB-18W-IH277



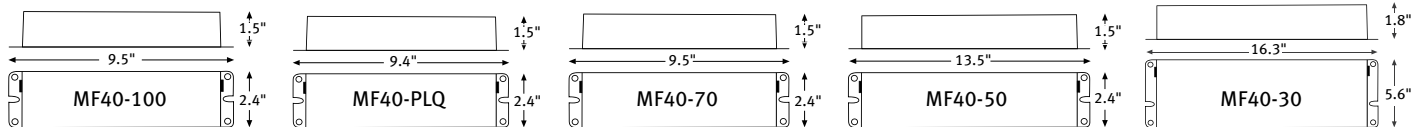
BENEFITS & FEATURES

- Compatible with electronic, standard and magnetic, energy saving, and dimming AC ballasts
- Easy installation inside of ballast channel, on top of or remote from fixture
- Operates one or two lamps in emergency mode
- Can be used with switched or unswitched lighting fixture
- Battery case made of heavy 22-gauge steel
- Reliable, high-frequency inverter
- Sealed nickel-cadmium battery
- 120/277 VAC operation
- Time-delay retransfer (TDR) standard
- Test switch and LED charge indicator light supplied standard
- Low power consumption
- End-of-lamp-life compatible
- UL Damp Location Listed

TEMPERATURE RANGE

- Standard: 0°C - 50°C (32°F - 122°F) compliance
- UL 924 Listed
- NFPA 101 (Life Safety Code)
- NEC (National Electrical Code)

LINEAR/LONG COMPACT OR COMPACT FLUORESCENT LAMPS
 Embassy fluorescent ballasts emergency ballasts allow the same fixture to be used for both normal and emergency operation. In the event of a power failure, the emergency ballast switches to emergency mode and operates one or two of the existing lamps for a minimum of 90 minutes. Each emergency ballast contains a battery, charger and inverter circuit in a single package. The emergency ballast can be mounted in the fixture wireway or on top of the fixture, and is UL listed for factory installation or retrofit applications.



BALLAST MODEL NO.		No. of Lamps Operated	MF40-100	MF40-PLQ	MF40-70	MF40-50	MF40-30	
Lumen Output		1L: One Lamp 2L: One or Two Lamps	500	750	700	1400	3000	
Linear Fluorescent Lamps	T5 (W)	1L	8, 14	21, 28	8, 14	-	-	
		2L	-	8, 14	-	8 - 28	8 - 28	
	T5HO (W)	1L	-	39	-	54	-	
		2L	-	-	-	39	35 - 54	
	T8 (W)	1L	17 - 40	17 - 40	17 - 40	40 - 215	40 - 215	
		2L	-	-	-	17 - 40	17 - 40	
T10 (W)	1L	-	17-40	-	-	-		
	2L	-	-	-	17 - 40	17 - 40		
T12 (W)	1L	17 - 40	17 - 40	17 - 40	40 - 215	40 - 215		
	2L	-	-	-	17 - 40	17 - 40		
Compact Fluorescent Lamps	4-Pin CFL (W)	1L	13 - 39	18 - 42	13 - 39	40 - 42	-	
		2L	-	13	-	13 - 39	13 - 42	
	4-Pin Long CFL (W)	1L	18 - 40	24 - 40	18 - 40	40 - 50	55	
	2-PinCFL (W)	1L	For 2-PinCFL order model # MF40-PL				18 - 40	18 - 50
Special Fluorescent Lamps	T9 Circline CFL (W)	1L	20 - 40	20 - 40	20 - 40	-	-	
		2L	-	-	-	20 - 40	20 - 40	
	U-Bend (W)	T8	1L	32, 40	32, 40	32, 40	-	-
			2L	-	-	-	32, 40	32, 40
		T12	1L	34, 40	34, 40	34, 40	-	-
			2L	-	-	-	34, 40	34, 40

* Contact customer service for other lamp applications.

LOW PROFILE FOR T5 OR T8 FLOURESCENT LAMPS

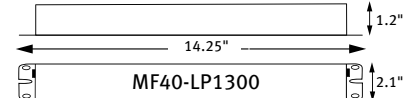
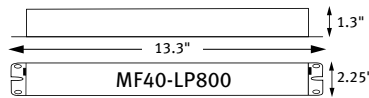
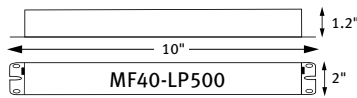
Embassy fluorescent ballasts emergency ballasts allow the same fixture to be used for both normal and emergency operation. In the event of a power failure, the emergency ballast switches to emergency mode and operates one or two of the existing lamps for a minimum of 90 minutes. Each emergency ballast contains a battery, charger and inverter circuit in a single package. The emergency ballast can be mounted in the fixture wireway or on top of the fixture, and is UL listed for factory installation or retrofit applications.

**BENEFITS & FEATURES**

- Compatible with electronic (including those containing end-of-life shutdown circuits), standard magnetic, energy saving and dimming AC ballasts
- Compatible with most standard and HO T5 miniature bi-pin, T8 bi-pin and rapid-start (4-pin) long compact lamps
- Easy ballast and channel installation
- Install inside, on top or remotely from fixture
- Operates one lamp
- Can be used with switched or un-switched lighting fixtures
- Compact battery case
- Reliable, high-frequency inverter
- Premium sealed nickel-cadmium battery
- 120/277 VAC operation
- Test switch and LED charge indicator light supplied standard
- Low power consumption
- End-of-lamp-life compatible
- Temperature Range Standard: 0°C - 50°C (32°F - 122°F)

CODE COMPLIANCE

- UL 924 Listed
- NFPA 101 Life Safety Code compliant
- NEC compliant
- UL Damp Location Listed



BALLAST MODEL NO.		No. of Lamps Operated	MF40-LP500	MF40-LP800	MF40-LP1300	
Lumen Output		1L: One Lamp 2L: One or Two Lamps	500	800	1300	
Linear Fluorescent Lamps	T5 (W)	1L	14 - 28	14 - 28	14 - 28	
		2L	8	8	8	
	T5HO (W)	1L	-	-	39, 54	
		2L	-	-	-	
	T8 (W)	1L	17 - 32	17 - 40	17 - 40	
		2L	-	-	-	
T10 (W)	1L	-	17 - 40	17 - 40		
	2L	-	-	-		
T12 (W)	1L	20	17 - 40	17 - 40		
	2L	-	-	-		
Compact Fluorescent Lamps	4-Pin CFL (W)	1L	-	13 - 26	26 - 42	
		2L	13 - 26	-	13, 18	
	4-Pin Long CFL (W)	1L	-	18 - 50	36 - 50	
	2L	-	-	18 - 24		
	2-PinCFL (W)	1L	-	-	-	
Special Fluorescent Lamps	T9 Circline CFL (W)	1L	-	20 - 40	20 - 40	
		2L	-	-	-	
	U-Bend (W)	T8	1L	-	-	32, 40
			2L	-	-	-
		T12	1L	-	-	34, 40
			2L	-	-	-

* Contact customer service for other lamp applications.

BENEFITS & FEATURES

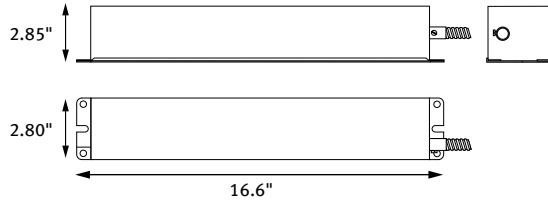
- Works with LED and fluorescent fixtures up to 20 W
- Supplies 90 minutes of emergency illumination at full brightness
- Provides power to the input side of connected lighting loads
- Ideal for screw-base LED lamps
- Suitable for indoor, outdoor, dry and damp applications
- Features fused output load connections
- AC Input Power Rating: 9.5 W; output voltage 120/277 VAC (auto select), 60 Hz
- Dimensions: 16.6" x 2.8" x 2.85"
- Remote mounting distance: 250 feet maximum
- Warranty: 5 years (not pro-rata)
- Standard: 0°C - 50°C (32°F - 122°F) compliance

CODE COMPLIANCE

- UL 924 Listed
- NFPA 101 Life Safety Code compliant
- NEC compliant
- UL Listed / CSA Certification pending

EMERGENCY LIGHTING MICRO INVERTER

The CSC-S-20 micro inverter is a battery-powered backup device that provides emergency power to a connected lighting load up to 20 W. CSC-S-20 is the ideal emergency backup for screw-base LED lamps and a superior choice for office, retail, hospitality and similar spaces. When normal power fails, the micro inverter immediately begins supplying emergency power and will continue to support the connected load for a minimum of 90 minutes. Upon restoration of normal power, the device automatically returns to the charging mode, and the inverter battery is fully restored in 24 hours. A solid-state low voltage disconnect circuit protects the battery during prolonged power failures. CSC-S-20 allows fixtures to be on, off, switched or dimmed. It supports 100% of AC rated output throughout its 90-minute runtime so fixtures operate at full brightness during emergency operation. The device provides power to the input side of the fixture, including the ballast, and is designed for use with indoor and outdoor applications.



ORDERING INFORMATION

MODEL	MAX. LOAD POWER	# OF LAMPS OPERATED	LAMP TYPES	INPUT VOLTAGE
CSC-S-20	20W	1	PL and LED	120/277

Ordering Example: CSC-S-20



H SERIES

PAR 36 LARGE STYLE EMERGENCY REMOTE - THERMOPLASTIC

LAMP SELECTION

TYPE	6 VOLT	12 VOLT	24 VOLT
Standard	7.2W, 9W	9W, 18W	9W, 18W, 24W
Halogen (H)	8W, 10W, 12W, 20W	6W, 8W, 12W, 20W, 35W, 50W	20W, 70W
Sealed Beam Standard (SB)	8W, 9W, 12W, 18W, 25W	8W, 12W, 18W, 25W	
Sealed Beam Halogen (SBH)	12W, 20W	8W	

ORDERING INFORMATION

MODEL	HEADS	VOLTAGE/WATTAGE	OPTIONS
H	1 = Single 2 = Double	See Lamp Selection	LM = Less Mounting Plate WP = Weatherproof TC = Teflon Coated Lens BL = Black Housing

Ordering Example: H-2-6VSB-12W

Note: heads come standard with matching mounting plate



GWP SERIES

WEATHERPROOF PAR 36 LARGE STYLE EMERGENCY REMOTE - GRAY THERMOPLASTIC

LAMP SELECTION

TYPE	6 VOLT	12 VOLT	24 VOLT
Standard	7.2W, 9W	9W, 18W	9W, 18W, 24W
Halogen (H)	8W, 10W, 12W, 20W	6W, 8W, 12W, 20W, 35W, 50W	20W, 70W
Sealed Beam Standard (SB)	8W, 9W, 12W, 18W, 25W	8W, 12W, 18W, 25W	
Sealed Beam Halogen (SBH)	12W, 20W	8W	

ORDERING INFORMATION

MODEL	HEADS	VOLTAGE/WATTAGE	OPTIONS
GWP	1 = Single 2 = Double	See Lamp Selection	LM = Less Mounting Plate

Ordering Example: GWP-1-12VSBH-8W

Note: heads come standard with matching mounting plate



HM SERIES

METAL PAR 36 LARGE STYLE EMERGENCY REMOTE

LAMP SELECTION

TYPE	6 VOLT	12 VOLT	24 VOLT
Standard	7.2W, 9W	9W, 18W	9W, 18W, 24W
Halogen (H)	8W, 10W, 12W, 20W	6W, 8W, 12W, 20W, 35W, 50W	20W, 70W
Sealed Beam Standard (SB)	8W, 9W, 12W, 18W, 25W	8W, 12W, 18W, 25W	
Sealed Beam Halogen (SBH)	12W, 20W	8W	

ORDERING INFORMATION

MODEL	HEADS	VOLTAGE/WATTAGE	OPTIONS
HM	1 = Single 2 = Double	See Lamp Selection	LM = Less Mounting Plate CC = Custom Color TC = Teflon Coated Lens

Ordering Example: HM-1-6V-9W

Note: heads come standard with matching mounting plate



SQRM SERIES

SQUARE EMERGENCY REMOTE - THERMOPLASTIC

AVAILABLE WITH KRYPTON LAMPS

LAMP SELECTION

TYPE	6 VOLT	12 VOLT
Standard:	5W, 9W	7.2W, 12W

ORDERING INFORMATION

MODEL	HEADS	VOLTAGE/WATTAGE	OPTIONS
SQRM	1 = Single 2 = Double	See Lamp Selection	LM = Less Mounting Plate KL = 5.4 Watt Krypton Lamps

Ordering Example: SQRM-2-6V-5W

Note: heads come standard with matching mounting plate



MR SERIES
MR16 EMERGENCY REMOTE - THERMOPLASTIC

LAMP SELECTION

TYPE	6 VOLT	12 VOLT
Standard	5W, 10W	5W, 10W

ORDERING INFORMATION

MODEL	HEADS	VOLTAGE/WATTAGE	OPTIONS
MR	1 = Single 2 = Double	See Lamp Selection	LM = Less Mounting Plate

Ordering Example: MR-1-12V-10W

Note: heads come standard with matching mounting plate



MRB SERIES
MR16 BULLET EMERGENCY REMOTE - DIE CAST

LAMP SELECTION

TYPE	6 VOLT	12 VOLT
Standard	5W, 10W	5W, 10W, 20W, 50W

ORDERING INFORMATION

MODEL	HEADS	VOLTAGE/WATTAGE	OPTIONS
MRB	1 = Single 2 = Double	See Lamp Selection	LM = Less Mounting Plate

Ordering Example: MRB-1-6V-5W

Note: heads come standard with matching mounting plate



RRG SERIES
RECESSED EMERGENCY REMOTE

LAMP SELECTION

TYPE	6 VOLT	12 VOLT	24 VOLT
Standard	7.2W, 9W	9W, 18W	9W, 18W, 24W
Halogen (H)	8W, 10W, 12W, 20W	6W, 8W, 12W, 20W, 35W, 50W	20W, 70W
Sealed Beam Standard (SB)	8W, 9W, 12W, 18W, 25W	8W, 12W, 18W, 25W	
Sealed Beam Halogen (SBH)	12W, 20W	8W	

ORDERING INFORMATION

MODEL	VOLTAGE/WATTAGE	OPTIONS
RRG	See Lamp Selection	DL = Damp Location (Sealed Beam Required) TC = Teflon Coated Lens

Ordering Example: RRG-12VH-20W

Note: heads come standard with matching mounting plate



CRL SERIES
CONTEMPORARY EMERGENCY REMOTE

LAMP SELECTION

TYPE	6 VOLT	12 VOLT
Standard	6W, 7W, 9W	9W, 12W, 18W

ORDERING INFORMATION

MODEL	HEADS	VOLTAGE/WATTAGE	OPTIONS
CRL	1 = Single 2 = Double	See Lamp Selection	G = Gasketed for Outdoor Use

Ordering Example: CRL-1-12V-9W-G

Note: heads come standard with matching mounting plate

WIRE GUARDS

Chrome plated, 0.150" diameter, steel Wire Guards protect exit signs and emergency lights from flying objects and random acts of vandalism. Wires are spaced 2.5" apart making it easy to access fixtures to perform periodic testing. Ideal for use in gymnasiums and any area where protection from flying objects is necessary.

**WIRE GUARD ORDERING INFORMATION**

MODEL	APPLICATION	WIDTH	HEIGHT	DEPTH
WG1	Combination Units	17	17	7
WG2	Wall Mount Exits	14	10	4.5
WG3	Ceiling Mount Exits	14.5	6	10.5
WG5	Small Cabinet Battery Units	15	14	6
WG6	Medium Cabinet Battery Units	20	17	9
WG7	Large Cabinet Battery Units	28.5	24.75	10
WG8	Single Remote Heads	8	6	8
WG9	Double Remote Heads	12	9	9
WG10	Ceiling Mounted Combination Units	13.5	12	16.5

VANDAL RESISTANT SHIELDS

Clear polycarbonate Vandal Shields provide an extra level of protection from flying objects and vandalism without obscuring the visibility of exit signs or inhibiting the performance of emergency lights. Ideal for use in schools, gymnasiums and other areas where the unit requires protection from flying objects or areas prone to vandalism.

**VANDAL RESISTANT SHIELD ORDERING INFORMATION**

MODEL	APPLICATION	WIDTH	HEIGHT	DEPTH
VRS1	Wall Mounted Plastic or Tritium Exits	13	8	2.75
VRS2	SQ Combination Units	30.5	15	7
VRS3	SQ-80 Units	18	7.5	5


ENERGY SAVING LED REPLACEMENT BULBS

Quick-Fit™ LED Bulbs are energy efficient replacement bulbs for illuminated exit signs and fixtures. Now you can eliminate the maintenance headaches associated with the old fluorescent and incandescent type lamps. Designed for commercial, industrial and institutional facilities where low maintenance and ease of installation are important, this versatile LED bulb provides years of maintenance-free illumination at a minimal cost.


BENEFITS AND FEATURES

- ITL Tested to only 1.2 watts
- Super-bright LEDs – Red or Green
- Special order – White, Blue, Amber leds
- Save up to \$88.00 per year/per sign
- Provides even illumination – no hot spots
- Eliminates maintenance – no more lamp changes
- Installs in seconds
- Surge protected
- Non-breakable housing
- All base types or hard wired
- Use for single or double face fixtures
- 120 or 277 volt (277 volt hard wired only)
- Swivel base for perfect alignment
- Patented design
- ETL Listed

DIMENSIONS:
5 7/16" LX 1 5/8" WX 13/16" D

PROJECTED ANNUAL SAVINGS

(BASED ON 100 FIXTURES)	INCANDESCENT	FLUORESCENT	LED
Existing watts	40	7	2.4
Hours per day	24	24	24
Cost per KWH	\$0.10	\$0.10	\$0.10
Annual energy cost	\$3,504.00	\$1,489.00	\$210.00
Hourly rate	\$25.00	\$25.00	\$25.00
Replacement time	30 min.	30 min.	30 min
Yearly replacements	2.9	.9	0
Annual labor cost	\$3,625.00	\$1,125.00	\$0.00
No. of lamps	2@3.25 ea	2@\$4.86 ea	0
No. times replaced	2.9	.9	0
Annual lamp cost	\$1,885.00	\$875.00	\$0.00
Total annual cost	\$9,014.00	\$3,488.00	\$210.00
Savings	\$8,804.00	\$3,278.00	

ORDERING INFORMATION

MODEL (Set of 2)	BASE TYPE	VOLTAGE
RED		
948200-BP	Universal*	120 VAC
948100	Hard wired	120/277 VAC
GREEN		
948402	Universal**	120 VAC
948402-HW	Hard wired	120/277 VAC
WHITE		
948016	Universal**	120 VAC
948016-HW	Hard wired	120/277 VAC

Ordering Example: 948200-BP
Add order suffix RL to model for optional improved illumination LED lens.

*THIS BLISTER PACK SET CONTAINS TWO CANDELABRA BASE BULBS AND ADAPTERS FOR INTERMEDIATE AND DC BAYONET.

**INCLUDES EXTRA BASE ADAPTERS.

NY-SX & NY-PSX

The New York Approved NY-SX and NY-PSX models are ideal for applications that require the durability of metal construction in an economical package. All NYX Series signs include a second faceplate for universal single/double face applications and canopy for universal top, end or back mounting.



NY-EPX

The New York Approved NY-EPX model offers unsurpassed value in an aesthetically pleasing design. All NY-EPX model signs include 3 emergency lighting heads.



BENEFITS & FEATURES

NY-SX & NY-PSX

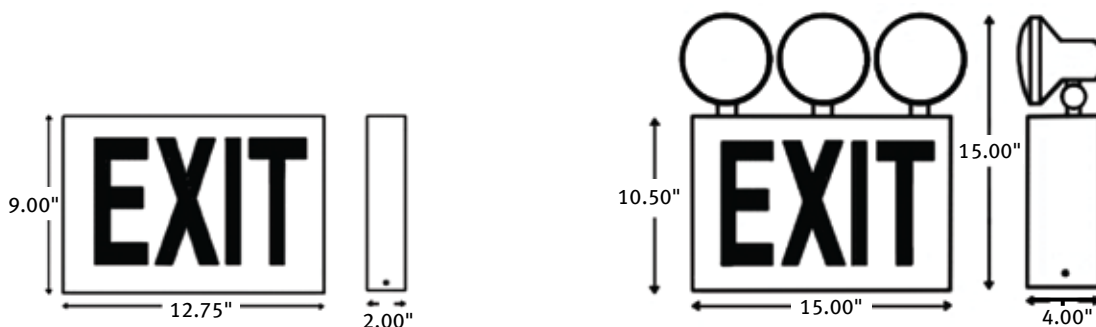
- Rugged, heavy duty 20-gauge die-formed steel construction
- Universal mounting pattern knockouts in backplate for back mounting
- Second faceplate included for double face applications
- 8" letters with 1" stroke width
- Chevron directional indicator knockouts
- Corrosion-resistant polyester powder coat paint
- Dual voltage 120/277VAC
- Maintenance-free 3.6V nickel cadmium battery (battery backup version)

NY-EPX

- Includes three lighting heads, combining exit signage with the emergency lighting function for a convenient, comprehensive solution
- Rugged, heavy duty 20-gauge die formed steel construction
- Lighting heads made from high impact thermoplastic
- Universal mounting pattern knockouts in backplate for back mounting
- 8" letters with 1" stroke width
- Chevron directional indicator knockouts
- Includes three 6V, 12W lighting heads
- Heads are fully adjustable for comprehensive lighting coverage
- Maintenance-free 6V sealed lead acid battery
- Dual voltage 120/277 VAC

CODE COMPLIANCE FOR ALL UNITS

- UL Listed
- NFPA 101 Life Safety Code compliant
- NEC and OSHA compliant
- New York City Approved
- Calendar No. 46932



ORDERING INFORMATION

MODEL	DESCRIPTION
NY-SX-1/2C-WWR	Steel LED Exit, Universal Single/Double Face, AC-Only
NY-PSX-1/2C-WWR	Steel LED Exit, Universal Single/Double Face, with Battery Backup
NY-EPX-1/2C-WWR	Steel COMBO LED Exit and Emergency Lights

Ordering Example: NY-PSX-1/2C-WWR

BENEFITS & FEATURES

- Architectural-grade, die cast aluminum housing and faceplate
- Includes die cast aluminum canopy for top or end mounting
- Universal mounting pattern knockouts for J-box mounting
- Pre-drilled canopy attachment locations with easily removed hole covers
- Integral wiring channels
- Gently curved faceplate snaps into housing without tools
- Second faceplate included to field-convert from single to double face
- 8" letters with 1" stroke width
- Full-size, 3/4" wide chevron directional indicators are field selectable
- Standard Self-Test and Self-Diagnostics (battery backup version only)
- Dual voltage 120/277VAC
- Maintenance-free 4.8V sealed, nickel cadmium battery (battery backup version)

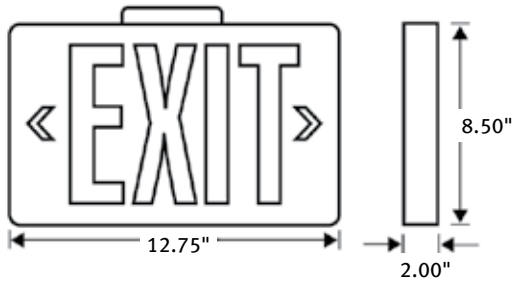
DIE CAST ALUMINUM LED EXIT

The New York Approved NY Meridian Series is ideal for applications that require the durability of metal construction in an economical package. All NY Meridian Series signs include a second faceplate for universal single/double face applications and canopy for universal top, end or back mounting.



CODE COMPLIANCE

- UL Listed
- NFPA 101 Life Safety Code compliant
- NEC and OSHA compliant
- New York City Approved



ORDERING INFORMATION

MODEL	OPERATION	NUMBER OF FACES	LETTER COLOR	FINISH
NYMD	A = AC Only B = Battery Backup	U = Universal Single/Double Face	R = Red	BA = Black w/ Brushed Aluminum BB = Black WH = White

Ordering Example: NYMD-B-U-R-BA

EDGE-LIT LED EXIT SIGN

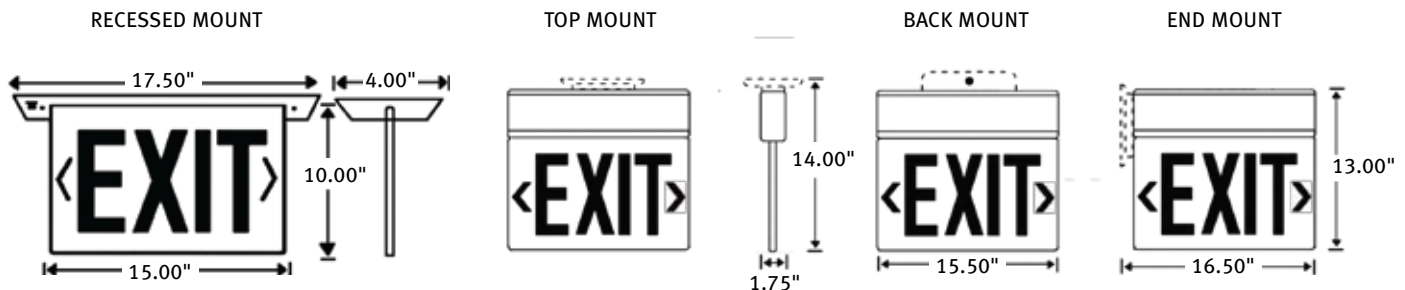
The New York Approved NY Precision Series is the most uncomplicated edge-lit sign to specify. This sign offers precise engineering for architectural excellence.

**BENEFITS & FEATURES**

- Crystal clear acrylic face panel
- Mirrored divider provided on double face signs to simulate clear aesthetic
- Extruded aluminum housing
- Surface Mount includes die cast aluminum canopy for top, back or end mounting
- Pre-drilled canopy attachment locations with easily removed hole covers
- 8" letters with 1" stroke width
- Full-size, chevron directional indicators
- Field-applied chevron directional indicators with pre-applied installation template
- Dual voltage 120/277VAC
- Maintenance-free 6V sealed lead calcium battery (battery backup version)

CODE COMPLIANCE

- UL Listed
- NFPA 101 Life Safety Code compliant
- NEC and OSHA compliant
- New York City Approved
- Calendar No. 46932

**ORDERING INFORMATION**

MODEL	# OF FACES	OPERATION	MOUNTING	COLOR
NYELX	1 = Single	A = AC Only	U = Universal Surface Mount	BA = Brushed Aluminum
	2 = Double	B = Battery Backup	R = Recessed Mount	BL = Black
				WH = White

Ordering Example: NYELX-2-A-U-WH

BENEFITS & FEATURES

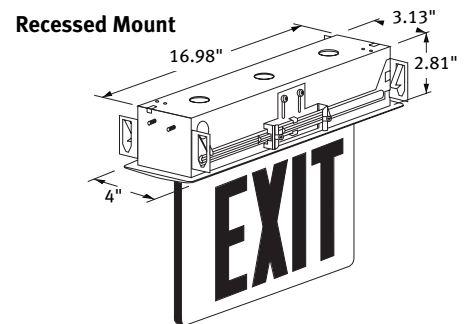
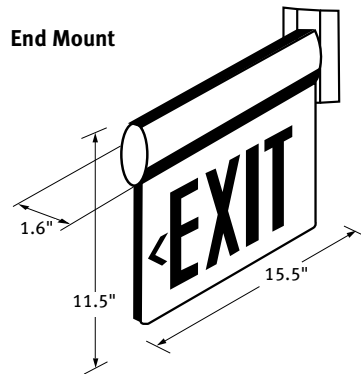
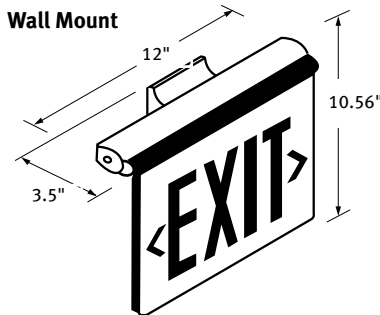
- Recessed or surface mounting
- Pivoting exit panel rotates 180°
- Compact, low profile design
- 8" Letters with 1" Stroke
- Standard colors white and brushed aluminum
- Red super bright LEDs
- Field applicable directional arrows
- Consumes less than 5 watts of electricity
- 120/277 volt operation
- Attractive aluminum extrusion design
- Constant, uniform illumination

BATTERY BACK-UP

- Test button and LED AC/DC indicator
- Overcharge protected
- Brown-out protected
- UL recognized, maintenance-free, NiCad battery
- 24 Hour recharge after 90 minute discharge
- 180 minute emergency run-time

NEW YORK ADJUSTABLE LED EDGE-LIT EXIT

The New York Pivotal is the latest generation edge-lit EXIT from the Mule design team. The Pivotal features an integrated and unique pivot system that allows it to be installed on the wall, ceiling or sloped surface as well as ceiling recessed or wall recessed. Easy to specify, easy to install, the Pivotal is a universal edge-lit EXIT that is available in AC only and Self-Powered configurations.



ORDERING INFORMATION

MODEL	# OF FACES	OPERATION	MOUNTING	HOUSING COLOR
NYPVT	1 = Single	A = AC Only	U = Universal Surface	BA = Brushed Aluminum
	2 = Double*	B = With Battery	R = Recessed	CC = Custom Color

Ordering Example: NYPVT-1-B-U-BA

*Double face signs are supplied with a mirror insert

6 & 12 VOLT EMERGENCY OPERATION LIGHT

The NY-LX Series New York Emergency Lights are designed for efficiency and ease of installation. Their rugged design meets New York City standards and provides dependable operation. These units are completely self contained and fully automatic.

BENEFITS & FEATURES

- Rugged, heavy duty design
- Durable 20 gauge steel housing
- High Impact Thermoplastic lighting heads
- Dual voltage 120/277VAC
- Solid state charging and switching
- Brownout protection
- Battery Low Voltage disconnect
- Overload and short circuit protection
- AC power indicator and test switch
- Maintenance-free 6V or 12V sealed lead calcium battery
- Supplied with 9W incandescent wedge base lamps

CODE COMPLIANCE

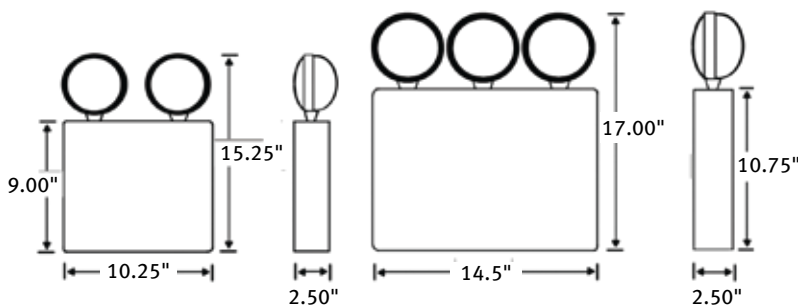
- UL Listed
- NFPA 101 Life Safety Code compliant
- NEC and OSHA compliant
- New York City Approved
- Calendar No. 46932



NY-LX-18-2



NY-LX-27-3 & NY-LX-50-3



NY-LX-18-2

NY-LX-27-3 & NY-LX-50-3

ORDERING INFORMATION

MODEL	DESCRIPTION
NY-LX-18-2	6 Volt, 18 Watt Indoor Emergency Unit, Two 9 Watt Heads
NY-LX-27-3	6 Volt, 27 Watt Indoor Emergency Unit, Three 9 Watt Heads
NY-LX-50-3	12 Volt, 50 Watt Indoor Emergency Unit, Three 12 Watt Heads

Ordering Example: NY-LX-27-3

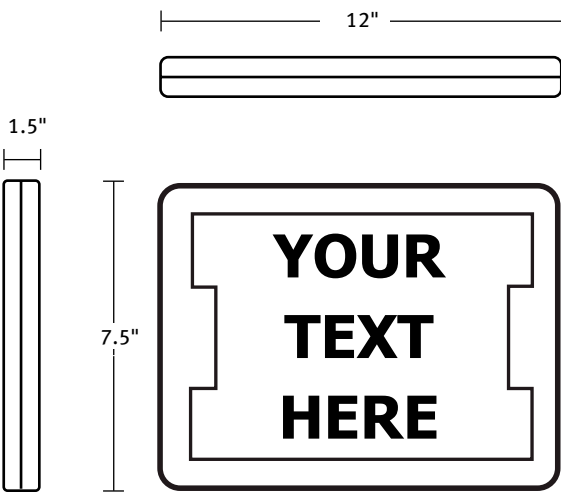
BENEFITS & FEATURES

- Black & White housings available
- Each sign is custom made with 3.2 mil opaque matte vinyl
- Emergency operation of 90+ minutes on Battery Backup models
- Dual 120V/277V operation
- Injection-molded, V-0 flame retardant, high-impact thermoplastic housing
- Energy consumption of 3.2 watts for red letters and 3.8 watts for green letters
- Universal mounting canopy for side or top installation

SPECIAL LETTERING SIGNS

Special Lettering Signs provide single and double-sided custom illuminated signage to clearly mark entrances, exits, restrooms, stairwells, elevators, lobbies, X-Ray rooms, off limits and other special-use areas in most commercial and industrial environments.

Special Lettering Signs can be custom-ordered with a choice of more than 50 commonly used special lettering phrases. Each special lettering sign is available in the same choice of letter colors as existing MX models (red and green). Special lettering signs integrate seamlessly into installations with existing exit signage and provide design continuity throughout large applications.



ORDERING INFORMATION

MODEL	OPERATIONS	# OF FACES	LETTER COLOR	HOUSING COLOR	SPECIAL LETTERING
MX	A = AC- ONLY	1 = Single	R = Red	W = White	SL1 = X-RAY IN USE
	B = W/BATTERY	2 = Double	G = Green	B = Black	SL2 = SALIDA
					SL3 = IN USE
					SL4 = AREA OF REFUGE
					SL5 = AREA OF RESCUE
					SL6 = AREA OF RESCUE ASSISTANCE
					SL8 = BEAM IN USE
					SL9 = LASER IN USE
					SL10 = DARKROOM IN USE
					SLCC = CUSTOM (CONSULT FACTORY)

Ordering Example: MX-A-1-R-W-SL3

EMERGENCY LIGHTING INVERTERS

CSC-100-SD and CSC-250-SD Self-Diagnostic Emergency Lighting Mini Inverters provide emergency power for indoor and outdoor emergency lighting fixtures. The CSC units work with fluorescent, incandescent and LED lighting loads and in compliance with code, provide a minimum 90 minutes of emergency illumination.

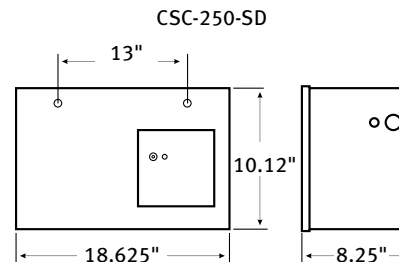
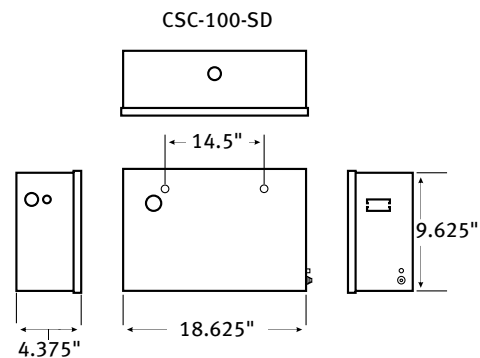


Unlike fluorescent emergency ballasts, CSC mini inverters provide power to the input side of the fixture. This design eliminates compatibility issues. The CSC-100-SD supports up to 100 W, while the CSC-250-SD supports up to 250 W. They are designed for surface mount and can be installed up to 1000 feet from the fixture(s). Connected fixtures may be on, off, switched or dimmed.

Both the CSC-100-SD and CSC-250-SD feature self-diagnostic circuitry. This circuitry checks operating parameters during the start-up, standby and testing phases. If a fault is detected, the red fault indicator light flashes, alerting maintenance personnel that service is required.

BENEFITS & FEATURES

- Power fluorescent, incandescent and LED fixtures for a minimum of 90 minutes, as required by emergency lighting code
- Support for 100 W (CSC-100-SD) or 250 W (CSC-250-SD) applications
- Feature self-diagnostic operation
- Initiate 15-minute tests of emergency function every 25-30 days
- Alert maintenance personnel to fault conditions
- May be remote mounted up to 1000 feet
- Supply indoor and outdoor applications
- Designed for surface mount installation
- Allow fixtures to be on, off, switched or dimmed
- Provide initial power of 91% of inverter rating
- Provide fused output load connections
- Utilize solid-state, line-latched low-voltage disconnect to protect against battery deep discharge
- Include a brownout sensing circuit to ensure proper operation during low line conditions
- Long-life, maintenance-free lead-calcium battery
- Include a momentary test switch
- Unit warranted for three full years; battery warranted for three years, plus seven years additional pro rata
- 120/277 VAC, 60 Hz
- UL Listed

**ORDERING INFORMATION****MODEL**

CSC-100-SD

CSC-250-SD

Ordering Example: CSC-100-SD

BENEFITS & FEATURES

- PWM/MOSFET Inverter Technology for high efficiency and low THD
- UL 924 Listed and meets or exceeds the requirements of OSHA for emergency lighting and power. NFPA70, NFPA101, NFPA110, BC and SBCCI and New York City approved
- 98% efficient in standby mode means no fan for cooling
- Compatible with HID, Fluorescent, Incandescent and Electronic Low Voltage lighting
- Maintenance-free, sealed lead calcium valve regulated lead acid batteries
- Field upgradable from 500VA to 2000VA by additional battery modules
- Protection Circuit breakers are Battery, Input and Output
- Microprocessor controlled, 2x20 character display with touch pad controls front panel interface
- Programmable setpoints are password controlled with user and service levels
- Self-Testing and Diagnostics
- The UPS Mini individual inverter and individual battery cabinets are only 26" W x 10"H x 10" D providing the smallest inverter footprint in the industry



FAST TRANSFER/SINGLE PHASE 500 TO 2000 VA

The Opti-Lite CM is a compact, modular emergency lighting inverter. Typical applications include all types of HID fixtures, quartz restrike, fluorescent, incandescent, and low voltage lighting. This series is well suited for outdoor emergency egress lighting, medium size offices and warehouses. The modular design and low MTTR ensure easy maintenance and field upgradability.



ACCESSORIES

MODEL	DESCRIPTION
T-MODEM-01	Modem for RS232
T-WMB-01	Wall Mount Bracket*

*Only needed to mount inverter in horizontal position

ORDERING INFORMATION

MODEL	SYSTEM VA	INPUT VOLTAGE	OUTPUT VOLTAGE	OPTIONS	DESCRIPTION
CM	500 VA = 2 Cabinets	120	120	CBA	Circuit Breaker Trip Alarm
	1000 VA = 3 Cabinets	277	277	R	RS232
	1500 VA = 4 Cabinets			SC	Summary Dry Contact
	2000 VA = 5 Cabinets			EXT	Extended Run Time
				RMP	Extended Meter Panel
				RSP	Remote Summary Alarm Panel
				NO	Normally Off

Ordering Example: CM-1000-277-277-CBA

FAST TRANSFER/SINGLE PHASE 1,500 VA TO 16,700 VA

An on-line uninterruptible power system for the emergency operation of incandescent, magnetic and electronic ballast fluorescent and high intensity discharge (HID) lamp types. The total solution for all lighting applications.



BATTERY CABINET:

- Systems 4800 VA and below are self-contained while larger systems require external battery cabinets as follows:

6000 VA	1 Battery Cabinet
8000 VA, 10000 VA, 12500 VA	2 Battery Cabinets
16700 VA	3 Battery Cabinets

INPUT

- General: 120 or 277 60 Hz AC input +10-15%, Input Circuit Breaker

OUTPUT

- General: 120 or 277 60 Hz AC output
- Load current change +2%
- Battery discharge +12.5%
- Power factor load ranges from .5 lag to .5 lead

BENEFITS & FEATURES

INVERTER

- Design: Stand-By UPS, Pulse Width Modulated (PWM) utilizing IGBT technology with no transfer time
- Generator Input: Compatible with generators
- Control Panel: Microprocessor controlled 2 x 20-character display with touch pad controls & functions
- 5 LED indicators & alarm with ring-back feature
- Metering: Input & Output Voltage, Battery Voltage, Battery & Output Current, Output VA
- Output Current, Output VA, Temperature, Wattage
- Alarms: High/Low Battery Charger Fault, Near Low Battery, Low Battery, Load Reduction Fault, Output Overload, High/Low AC Input Volts, High Ambient Temperature, Inverter Fault, Output Fault
- Communications: RS-232 port (DB9)
- Alarm Contacts: Optional Summary Form "C" Contacts
- Warranty: 1 Year Standard includes all parts, labor, & travel expenses within 48 contiguous states. Up to 10 years prorated warranty on batteries. Extended warranties, preventative maintenance and customized service plans are available.
- Factory Start-up: Purchase factory start-up and receive 1 additional year of warranty
- Battery Type: Valve-regulated sealed lead-calcium
- Charger: Microprocessor controlled and temperature compensated, 24-hour battery recharge standard
- Protection: Automatic low-battery disconnect; auto-restart upon utility return
- Disconnect: Fuse
- Discharge Cycle: 90 minutes at full load with fully charged batteries

PHYSICAL

- Freestanding NEMA Type 1
- 30"W x 46"H x 22"D
- Cooling : Forced Air during emergency model
- Cable Entry: Top or Side
- Access: Front

ORDERING INFORMATION

MODEL	VA RATING	VOLTAGE INPUT	VOLTAGE OUTPUT	OPTION	DESCRIPTION
IS-F	1500	120	120	OCB	Output Circuit Breakers*
	2250	120	277	ERT	Extended Run Time
	3000	277	277	FMC	Summary Form "C" Contacts
	3750	277	120	IMB	Internal Maintenance Bypass
	4800	240	240	EMB	External Maintenance Bypass
	6000	240	120	BEX	Battery Exerciser
	8000	120	120/277	FSU	Factory Start-Up
	10000	277	120/277		
	12500				
	16700				

Ordering Example: IS-F-1500-120-120-OCB6-FSU

*Specify number of circuit breakers



BENEFITS & FEATURES

INVERTER

- Design: Stand-By UPS, Pulse Width Modulated (PWM) utilizing IGBT technology with no transfer time
- Control Panel: On/off key operated switch, System test switch
- Metering: Digital Input & Output Voltage, Battery Voltage, Battery & Output Current, Output VA
- Alarms: Optional High/Low Battery Charger Fault, Near Low Battery, Low Battery, Load Reduction Fault, Output Overload, High/Low AC Input Volts, High Ambient Temperature, Inverter Fault, Output Fault
- Communications: Optional RS-232 port
- Alarm Contacts: Optional Summary Form "C" Contacts
- Warranty: 1 Year Standard Warranty includes all parts, labor, & travel expenses within 48 contiguous states. Up to 10 years prorated warranty on batteries. Extended warranties, preventative maintenance and customized service plans are available.
- Factory Start-up: Required for warranty

BATTERY

- Type: Valve-regulated sealed lead-calcium
- Charger: Automatic internal diagnostic indicators, One LED indicator for Float mode and another for high charge mode
- 24-hour recharge
- Protection: Automatic low-battery disconnect; auto-restart upon utility return
- Discharge Cycle: 90 minutes at full load with fully charged batteries

PHYSICAL

- Freestanding NEMA Type 1
- Dimensions:
 - 8000 VA-16700 VA 30"W x 47"H x 25"D
 - 24000 VA-50000 VA 44"W x 72"H x 31"D
- Access: Front

FAST TRANSFER/THREE PHASE 16,700 VA TO 50,000 VA
A 3-phase, on-line uninterruptible power system for the emergency operation of incandescent, magnetic and electronic ballast fluorescent and high intensity discharge (HID) lamp types. The total solution for all lighting applications.



BATTERY CABINET:

Systems require external battery cabinets as follows:

8000 VA	1 Battery Cabinet	24000 VA	1 Battery Cabinet
10000 VA	2 Battery Cabinets	33000 VA	2 Battery Cabinets
12500 VA	2 Battery Cabinets	40000 VA	2 Battery Cabinets
16700 VA	2 Battery Cabinets	50000 VA	2 Battery Cabinets

ORDERING INFORMATION

MODEL	VA RATING	VOLTAGE IN	VOLTAGE OUT	OPTIONS
3FT = 3-Phase System	8000	120-208	120-208	OCB = Output Circuit Breakers*
	10000	277-480	277-480	ERT = Extended Run Time (Consult Factory)
	12500			FMC = Summary Form "C" Contacts
	16700			AT = Automatic Test via RS232 Microprocessor
	24000			EMB = External Maintenance Bypass
	33000			BEX = Battery Exerciser
	40000			CFA = Charger Failure Alarm
	50000			OMA = Output Monitor Alarm

Ordering Example: 3FT-16700-120-208-OCB6-BEX

*Specify number of circuit breakers



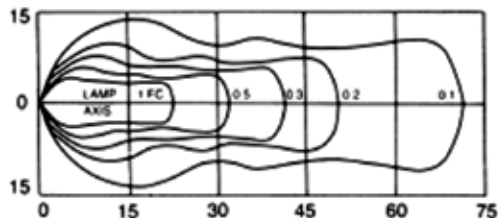
LAMP HEAD PHOTOMETRICS

Distances are in Feet, Isocurves in Footcandles

Horizontal and Vertical Axis Distributions are Symmetrical

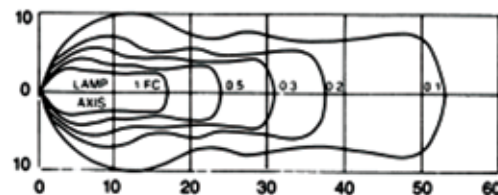
DRAWING #1

LAMP #	VOLTS	WATTS
H7556	6	6



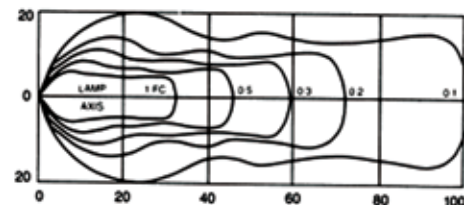
DRAWING #2

LAMP #	VOLTS	WATTS
785	6	8
908	6	9
915	12	9



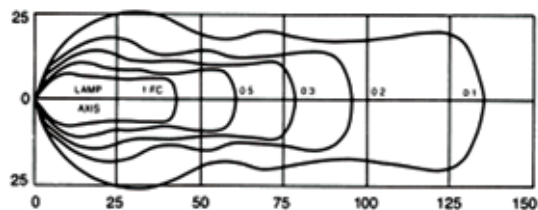
DRAWING #3

LAMP #	VOLTS	WATTS
787	6	10
786	6	12
783	12	12
789	12	14



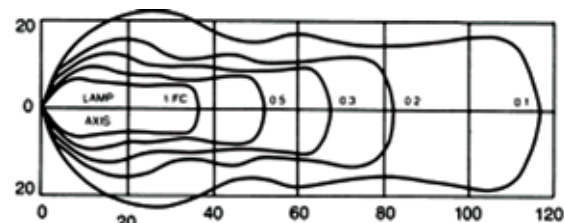
DRAWING #4

LAMP #	VOLTS	WATTS
1079	12	22
1638	24	24



DRAWING #5

LAMP #	VOLTS	WATTS
1130	6	18



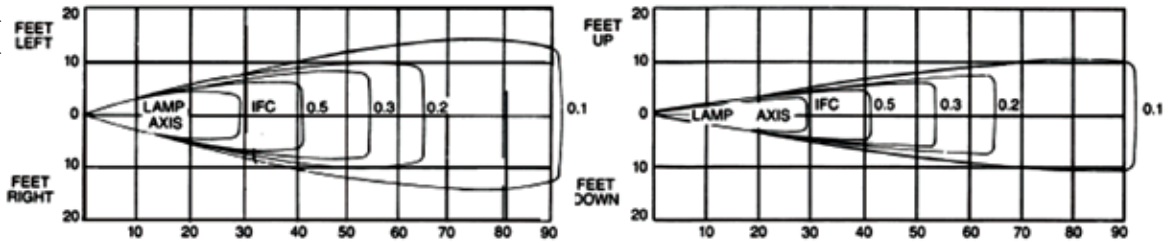
LAMP HEAD PHOTOMETRICS
Use the Following Curves for PAR 36 Sealed Beam Lamps.

HORIZONTAL DISTRIBUTION
FEET FROM LAMP (MEASURED ON AXIS)

VERTICAL DISTRIBUTION
FEET FROM LAMP (MEASURED ON AXIS)

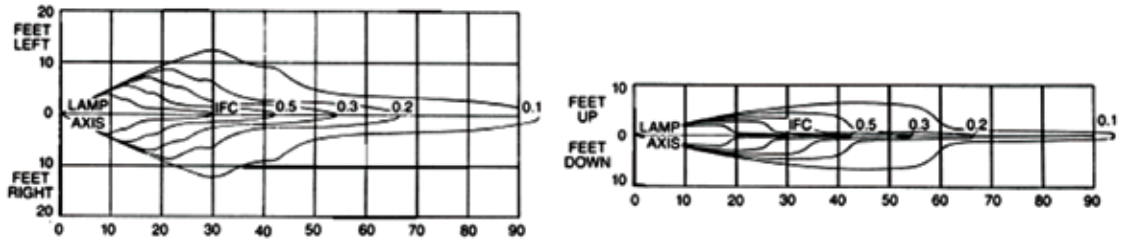
DRAWING #6

LAMP #	VOLTS	WATTS
H7553	6	12
H7557	12	12



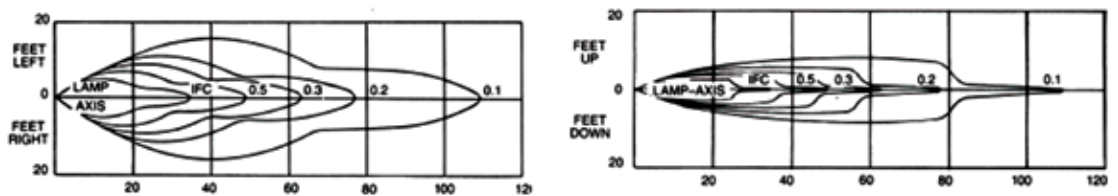
DRAWING #7

LAMP #	VOLTS	WATTS
4044	12	12



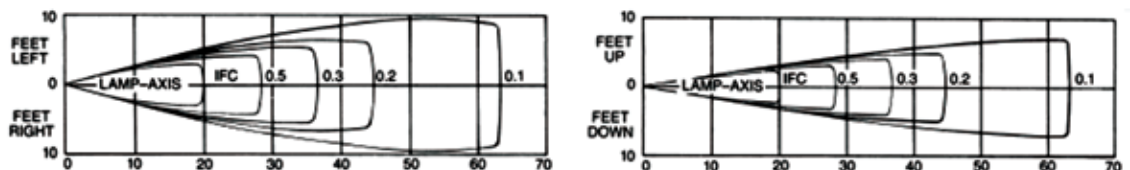
DRAWING #8

LAMP #	VOLTS	WATTS
4414	12	18
4014	6	18



DRAWING #9

LAMP #	VOLTS	WATTS
7613	6	8
7672	6	7.2





LAMP HEAD PHOTOMETRICS

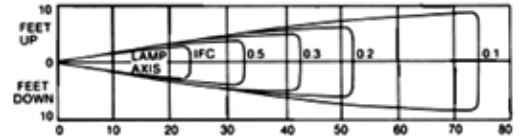
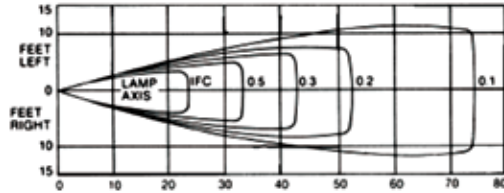
Use the Following Curves for PAR 36 Sealed Beam Lamps.

HORIZONTAL DISTRIBUTION FEET FROM LAMP (MEASURED ON AXIS)

VERTICAL DISTRIBUTION FEET FROM LAMP (MEASURED ON AXIS)

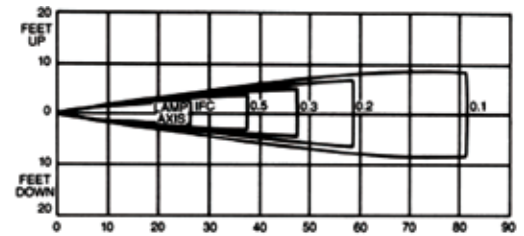
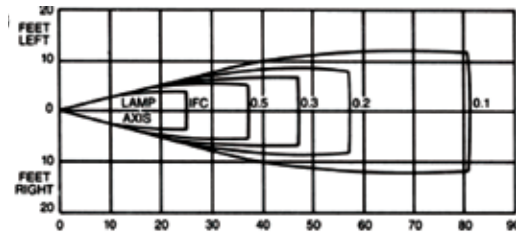
DRAWING #10

LAMP #	VOLTS	WATTS
H7551	6	8
H7555	12	8



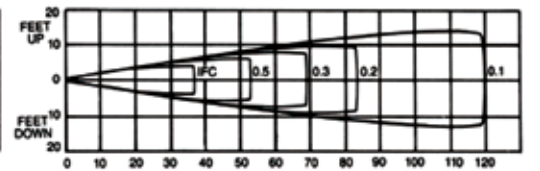
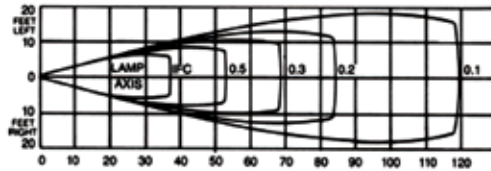
DRAWING #11

LAMP #	VOLTS	WATTS
H7552	6	10



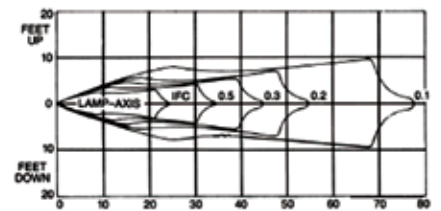
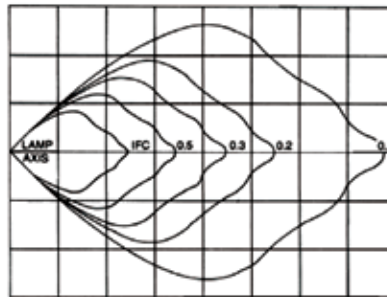
DRAWING #12

LAMP #	VOLTS	WATTS
H7554	6	20



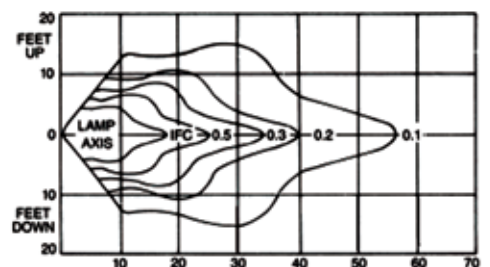
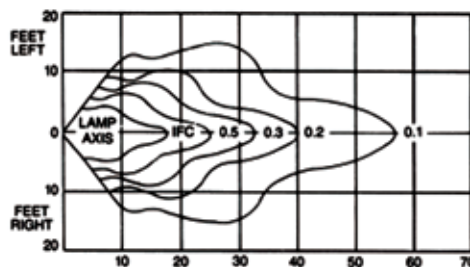
DRAWING #13

LAMP #	VOLTS	WATTS
4510	6	25



DRAWING #14

LAMP #	VOLTS	WATTS
4446	12	25



REFERENCE TABLE FOR REPLACEMENT OF EMERGENCY LIGHTING LAMPS

MODEL#	VOLTS	WATTS	LUMENS	BEAM CP	ANSI CODE	LAMP PHOTOMETRIC	
						DRAWING #	LAMP TYPE
LP-1	6	3.7	38	300	909	-	Wedge Base
LP-2	6	6.0	75	330	929	-	Wedge Base
LP-3	6	7.2	101	360	927	-	Wedge Base
LP-4	6	9.0	151	400	908	2	Wedge Base
LP-5	6	6.0	113	400	784	-	Bi-Pin Halogen
LP-6	6	8.0	163	550	785	2	Bi-Pin Halogen
LP-7	6	10	201	650	787	3	Bi-Pin Halogen
LP-8	6	12	239	850	786	3	Bi-Pin Halogen
LP-9	6	20	402	1400	788	-	Bi-Pin Halogen
LP-10	6	7.2	101	350	7672	9	PAR 36 Sealed Beam
LP-11	6	8.0	132	400	7613	9	PAR 36 Sealed Beam
LP-12	6	18	243	1500	4014	8	PAR 36 Sealed Beam
LP-13	6	25	318	800	4510	13	PAR 36 Sealed Beam
LP-14	6	6.0	113	400	H7556	1	PAR 36 Halogen Sealed Beam
LP-15	6	8.0	115	550	H7551	10	PAR 36 Halogen Sealed Beam
LP-16	6	10	201	650	H7552	11	PAR 36 Halogen Sealed Beam
LP-17	6	12	302	850	H7553	6	PAR 36 Halogen Sealed Beam
LP-18	6	20	457	1400	H7554	12	PAR 36 Halogen Sealed Beam
LP-19	6	5.0	70	325	939	-	Wedge Base
LP-20	6	6.0	90	350	82	-	Double Contact Bayonet Base
LP-21	6	12	240	855	88	-	Double Contact Bayonet Base
LP-22	6	8.0	165	555	64	-	Double Contact Bayonet Base
LP-23	6	18	245	1505	1130	5	Double Contact Bayonet Base
LP-24	6	22	465	1410	1618	-	Double Contact Bayonet Base
LP-25	12	3.0	40	280	960	-	Wedge Base
LP-26	12	9.0	138	360	915	2	Wedge Base
LP-27	12	12.5	177	650	922	-	Wedge Base
LP-28	12	8.0	155	550	774	-	Bi-Pin Halogen
LP-29	12	12	277	850	783	3	Bi-Pin Halogen
LP-30	12	14	302	1050	789	3	Bi-Pin Halogen
LP-31	12	20	461	1400	782	-	Bi-Pin Halogen
LP-32	12	12	182	1100	4044	7	PAR 36 Sealed Beam
LP-33	12	18	245	1500	4414	8	PAR 36 Sealed Beam
LP-34	12	25	327	400	4446	14	PAR 36 Sealed Beam
LP-35	12	8.0	155	550	H7555	10	PAR 36 Halogen Sealed Beam
LP-36	12	12	277	850	H7557	6	PAR 36 Halogen Sealed Beam
LP-37	12	8.0	80	600	90	-	Double Contact Bayonet Base
LP-38	12	12	280	853	94	-	Double Contact Bayonet Base
LP-39	12	16	210	1440	1005	-	Double Contact Bayonet Base
LP-40	12	22	485	1500	1076	4	Double Contact Bayonet Base
LP-41	12	23	155	2100	1176	-	Double Contact Bayonet Base
LP-42	24	5.5	68	320	1252	-	Double Contact Bayonet Base
LP-43	24	7.0	998	355	305	-	Double Contact Bayonet Base
LP-44	24	9.0	132	400	624	-	Double Contact Bayonet Base
LP-45	24	12	201	1100	306	-	Double Contact Bayonet Base
LP-46	24	21	470	1450	1999	-	Double Contact Bayonet Base
LP-47	24	24	312	800	1638	4	Double Contact Bayonet Base
LP-48	24	4.0	55	310	464	-	Wedge Base
LP-49	24	20	295	750	13091	-	Bi-Pin Halogen

MODEL	SERIES NAME	PAGE	MODEL	SERIES NAME	PAGE
3FT	UPS Three Phase	69	NM4	NEMA 4X Series - NM4	50
948	QuickFit Series	59	NYELX	New York Approved Precision	62
ARS	Arris Series	12	NY-EPX	New York Approved NYX - Combination Unit	60
BKEM-2A	Lite Way Series, BKEM-2A	30	NY-LX	New York Approved NY-LX	64
BS101	BS101 Series	48	NYMD	New York Approved Meridian Series	61
C	C Series	37	NY-PSX	New York Approved NYX - Battery Backup	60
CC	Combination Series - CC	22	NYPVT	New York Approved Pivotal Series	63
CEL	Renaissance Series	10	NY-SX	New York Approved NYX - AC Only	60
CM	UPS Mini	67	PCX	Classic Series	8
CRL	CRL Series	57	PRX	Robo Series - Battery Backup	16
CSC	Mini Inverter Series	66	PSX	E-Star Series - Battery Backup	15
CSC-S	Embassy Series - Micro Inverter	53	PVT	Pivotal Edge-Lit Series	9
CVT	Covert Series	36	REL	Recessed Series - Low Profile	34
CX	Classic Series - AC Only	8	RG-80	Recessed Series - Gimbal, RG-80	35
EB	Ever Brite Series	17	RP	Riparo Series	47
EC	EC Series	39	RRG	RRG Series	57
EGX	Ever-Green Series	18	RX	Robo Series - AC Only	16
ELD	EMLED Series - ELD	33	SQ	Combination Series - SQ	21
ELS	EMLED Series - ELS	32	SQ-80	Econo Lite Series	25
ELW	EMLED Series - ELW	31	SQ-120	Econo Lite Series - Remote Capable	25
ELX	Precision Series	11	SQHO	SQ High Output Series	27
EM-80	Lite Way Series, EM-80	29	SQ-LED	SQ - LED Series	24
EOE	EMLED Series - EOE	44	SQRM	SQRM Series	55
EPX	Combination Series - EPX	20	SSL	SSL Series LED	23
GWP	GWP Series	54	SX	E-Star Series - AC Only	15
H	H Series	54	VR	VR Series	38
HM	HM Series	55	VRS	Vandal Resistant Shields	58
IS-F	UPS Single Phase	68	WLCX	Pinnacle Series - AC Only	13
JC	NEMA 12 Series	49	WLPCX	Pinnacle Series - Battery Backup	13
KES	KES Series	40	WG	Wire Guards	58
LX	LX Series	41	WLEM	WLEM Series	43
MAKO-LED	MAKO - LED Series	45			
MD	Meridian Series	7			
MDC	LED Combination Series - MDC	19			
MF40	Embassy Series - Linear/Compact	51			
MF40-LP	Embassy Series - Low Profile	52			
MFC	MFC Series	42			
MR	MR Series	56			
MRB	MRB Series	56			
MRD	Radius Series	26			
MRD-HO	MRD High Output Series	28			
MRD-WL	Radius Series - Wet Location	46			
MX	Special LED Series	65			
MXA	MX Series - AC Only	6			
MXB	MX Series - Battery Backup	6			
N4X-AX	NEMA 4X Series - AC Only	14			
N4X-BX	NEMA 4X Series - Battery Backup	14			
N4X-EPX	NEMA 4X Series - Combination Unit	14			

SERIES NAME	MODEL	PAGE	SERIES NAME	MODEL	PAGE
Arris Series	ARS	12	New York Approved LED NY-LX	NY-LX	64
BS101 Series	BS101	48	New York Approved Meridian Series	NYMD	61
C Series	C	37	New York Approved NYX - AC Only	NY-SX	60
Classic Series - AC Only	CX	8	New York Approved NYX - Battery Backup	NY-PSX	60
Classic Series - Battery Backup	PCX	8	New York Approved NYX - Combination Unit	NY-EPX	60
Combination Series - CC	CC	22	New York Approved Pivotal Series	NYPVT	63
Combination Series - EPX	EPX	20	New York Approved Precision	NYELX	62
Combination Series - SQ	SQ	21	Pinnacle Series - AC Only	WLCX	13
Covert Series	CVT	36	Pinnacle Series - Battery Backup	WLPCX	13
CRL Series	CRL	57	Pivotal Edge-Lit Series	PVT	9
EC Series	EC	39	Precision Series	ELX	11
Econo Lite Series	SQ-80	25	QuickFit Series	948	59
Econo Lite Series - Remote Capable	SQ-120	25	Radius Series	MRD	26
Embassy Series	MF40	51	Radius Series - Wet Location	MRD-WL	46
Embassy Series	MF40-LP	52	Recessed Series - Low Profile	REL	34
Embassy Series	CSC-S	53	Recessed Series - Gimbal, RG-80	RG-80	35
EMLED Series - ELD	ELD	33	Renaissance Series	CEL	10
EMLED Series - ELS	ELS	32	Riparo Series	RP	47
EMLED Series - ELW	ELW	31	ROBO Series - AC Only	RX	16
EMLED Series - EOE	EOE	44	ROBO Series - Battery Backup	PRX	16
E-Star Series - AC Only	SX	15	RRG Series	RRG	57
E-Star Series - Battery Backup	PSX	15	Special LED Signage	MX	65
Ever-Brite Series	EB	17	SQ-LED Series	SQ-LED	24
Ever-Green Series	EGX	18	SQ High Output Series	SQHO	27
GWP Series	GWP	54	SQRM Series	SQRM	55
H Series	H	54	SSL Series LED	SSL	23
HM Series	HM	55	UPS Mini	CM	67
KES Series	KES	40	UPS Single Phase	IS-F	68
LED Combination Series - MDC	MDC	19	UPS Three Phase	3FT	69
Lite Way Series, BKEM-2A	BKEM-2A	30	Vandal Resistant Shields	VRS	58
Lite Way Series, EM-80	EM-80	29	VR Series	VR	38
LX Series	LX	41	Wire Guards	WG	58
MAKO - LED Series	MAKO-LED	45	WLEM Series	WLEM	43
Meridian Series	MD	7			
MFC Series	MFC	42			
Mini Inverter Series	CSC	66			
MR Series	MR	56			
MRB Series	MRB	56			
MRD High Output Series	MRD-HO	28			
MX Series - AC Only	MXA	6			
MX Series - Battery Backup	MXB	6			
NEMA 12 Series	JC	49			
NEMA 4X Series - NM4	NM4	50			
NEMA 4X Series - AC Only-N4X	N4X-AX	14			
NEMA 4X Series - Battery Backup-N4X	N4X-BX	14			
NEMA 4X Series - Combo Unit-N4X	N4X-EPX	14			



Distributed/ Represented By:



46 Baker St. Providence, RI 02905

toll free: 800.556.7690
tel: 401.941.4446
fax: 401.941.2929

info@mulelighting.com
www.mulelighting.com



Mixed Sources
Product group from well-managed
forests and other controlled sources
www.fsc.org Cert no. SW-COC-003378
© 1996 Forest Stewardship Council